

Features

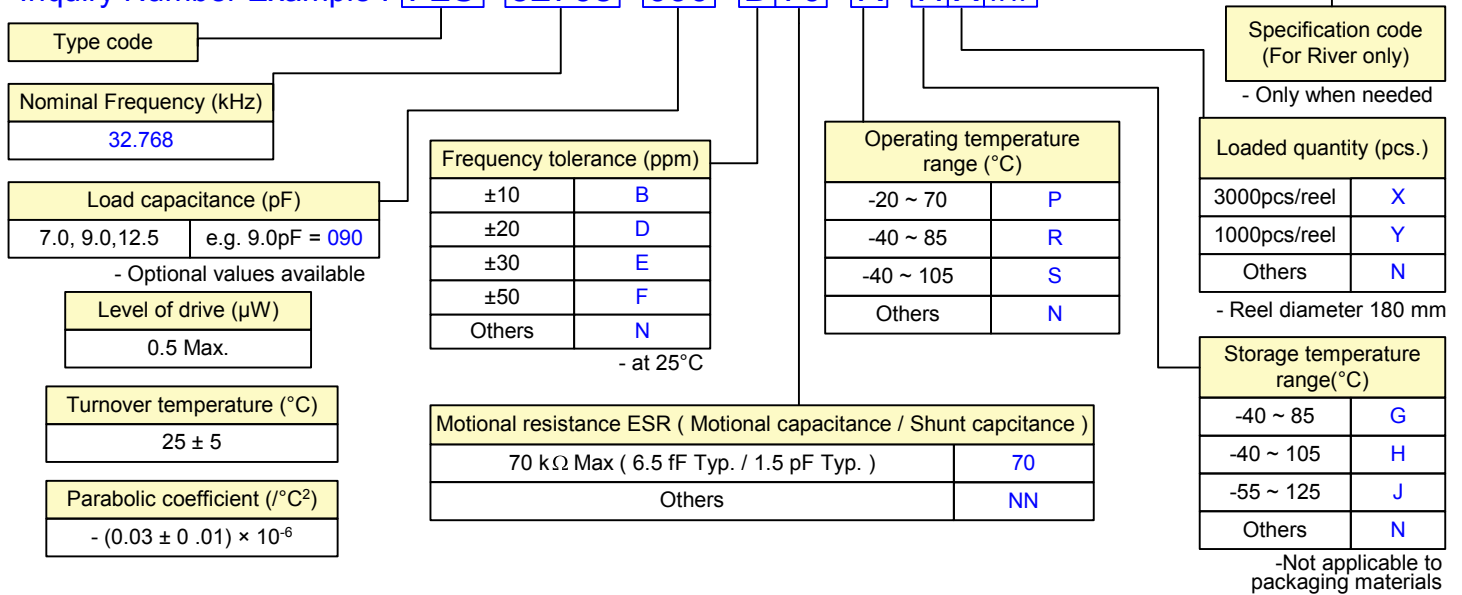
- Compact, thin and lightweight design.
(3.2 mm × 1.5 mm × 0.8 mm Max., Weight : 10.6 mg)
- Ceramic package and metal lid sealed by electron beam.
Wide operating temperature range. (-40 to 105 °C)
High reliability.
- Lead-free reflow soldering is available.
- AEC-Q200 compliant spec available upon request.

Applications

- Mobile phones, wireless modules, In-car devices.

Specifications

Inquiry Number Example : **F2S** - **32768** - **090** - **D70** - **R** - **HX##**

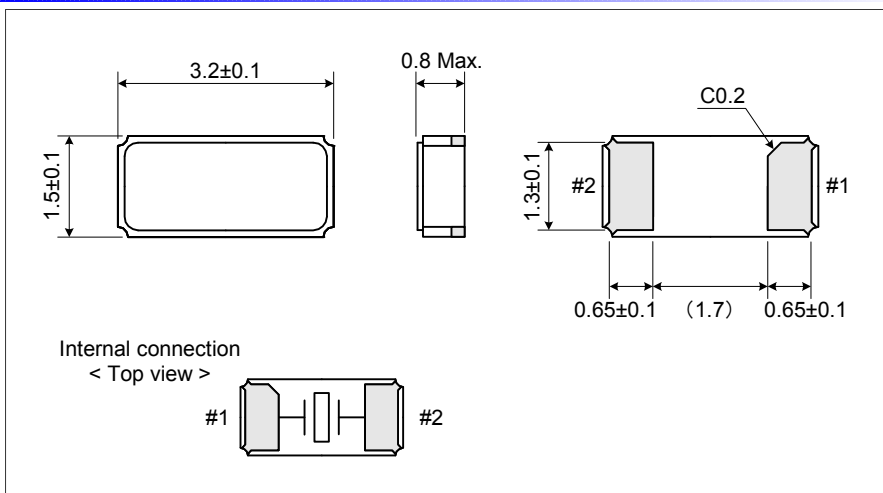


● Blue letters for Inquiry Number, black letters for specifications.

● Other specifications can be available. Please call our sales dept. or contact us via the inquiry form on our website with the Inquiry Number above.

Dimensions

Unit : mm



Land dimensions

Unit : mm

