



TAI-SAW TECHNOLOGY CO., LTD.

No. 3, Industrial 2nd Rd., Ping-Chen Industrial District,
Taoyuan, 324, Taiwan, R.O.C.

TEL: 886-3-4690038 FAX: 886-3-4697532

E-mail: tstsales@mail.taisaw.com Web: www.taisaw.com

SMD 3.5x6.0 Crystal Resonator

MODEL NO.:

REV. NO.:0

Features:

- Surface Mount Seam Weld Package
- Excellent Aging
- Good Frequency Perturbation and Stability over temperature
- Miniature Package

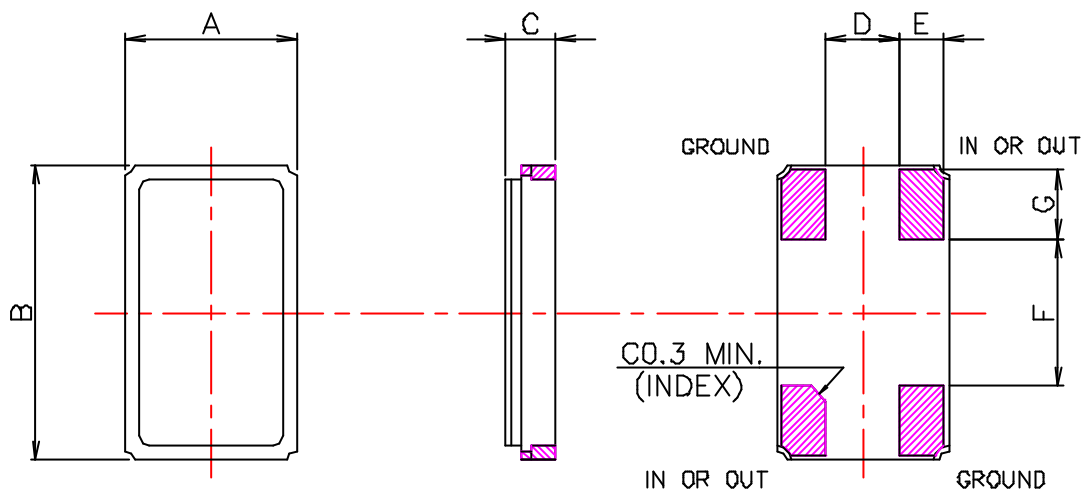
Description and Applications:

Surface mount 3.5mmx6.0mm crystal resonator for use in wireless communications devices

Electrical Specifications:

	Specification
Nominal Frequency	13 ~44 MHz
Mode of Vibration	Fundamental
Storage Temperature Range	-40°C to +85°C
Operating Temperature Range	-30°C to +85°C
Frequency Stability over Operating Temperature	+/-10 ppm, +/-15.0 ppm, +/-20 ppm
Frequency Perturbation	+/-1.0ppm
Frequency Make Tolerance	±10 ppm @ 25°C +/- 3°C
Resonance Resistance(R)	25 Ω max.
Drive Level	10 uW nominal
Load Capacitance-CL	8~40.0 pF
Insulation Resistance	500 MΩ min./DC 100V
Aging	±1.0 ppm/year @25°C
Marking	Laser marking

Mechanical Dimensions (mm):



ITEM UNIT	A	B	C	D	E	F	G
M/M	3.50 ±0.13	6.00 ±0.13	1.00 ±0.16	1.50 ±0.13	0.9 REF.	3.00 ±0.13	1.4 REF.