



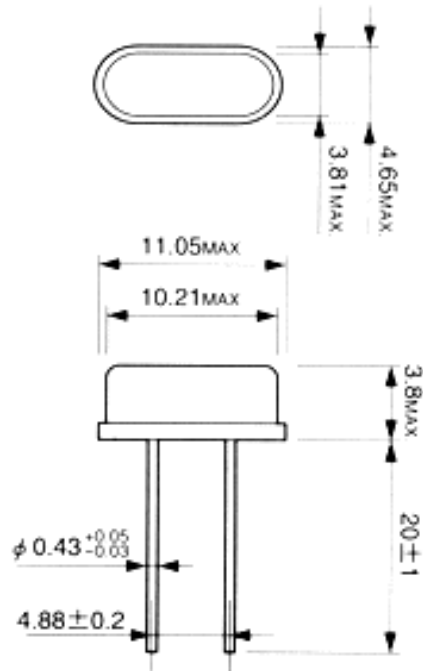
# HC-49/U-90

[Specification](#) | [Outline drawing](#) | [Graph](#)



Parameters	Specifications
Frequency range	3.5 to 60MHz
Holder	HC-49/U-90
Mode of vibration	Fundamental (3.5+ to 36MHz) 3rd Overtone(36+ to 60MHz)
Frequency tolerance	+/-50ppm (at 25+/-3C)
Frequency stability	+/-100ppm (0 to +70C, inclusive of frequency tolerance at 25C)
Operating temperature range	0 to +70C
Storage temperature range	-55 to +125C
Load capacitance (CL)	as mentioned in the table
Resonance resistance(Rr)	as mentioned in the table
Shunt capacitance (Co)	5pF max.
Drive level	0.5+/-0.1mW
Insulation resistance	500M ohms min/DC 100V
Shock	dF/F=+/-10ppm max. Withstand half sine wave in each 3 directions under 1,000G, 0.35msec.
Vibration	dF/F=+/-10ppm max., Withstand each 2 hours in 3 directions under 1 to 2 min. of 10 to 55Hz, amplitude 0.7 to 0.9 mm (Peak to peak in vibration)
Leak	2x10 <sup>-8</sup> atm cc/sec. max.

● Outline Drawing



● Graph

85°C Aging 500 hours

