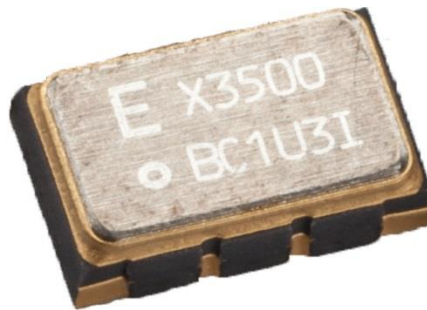


# Product Configuration Guide

## TCXO



# Product Configuration System



## 32.7680kHz TCXO

**TG-3541CE**

Base Model	Pkg.
TG-3541CE	3.2 x 2.5 x 1.0 mm
TG-3541CEA* <b>*Automotive</b>	10 PIN Ceramic

**32.7680K**

Frequency
32.7680kHz Only

**XA**

Frequency Temp Char
<b>XA=</b>
+/-1.9PPM 0°C to 50°C
+/-3.4PPM -40°C to 85°C
+/-8.0ppm 85°C to 105°C
<b>XB=</b>
+/-1.9PPM 0°C to 50°C
+/-5.0PPM -40°C to 85°C
+/-8.0ppm 85°C to 105°C

**0**

Tape & Reel Qty
<b>B: Bulk</b>
<b>2: 500pcs/reel</b>
<b>0: 1000pcs/reel</b>
<b>6: 2000pcs/reel</b>

**\*Automotive Grade product  
Approved Customer & Application only  
Contact your Epson rep. for support**

**EPSON**

August 2024

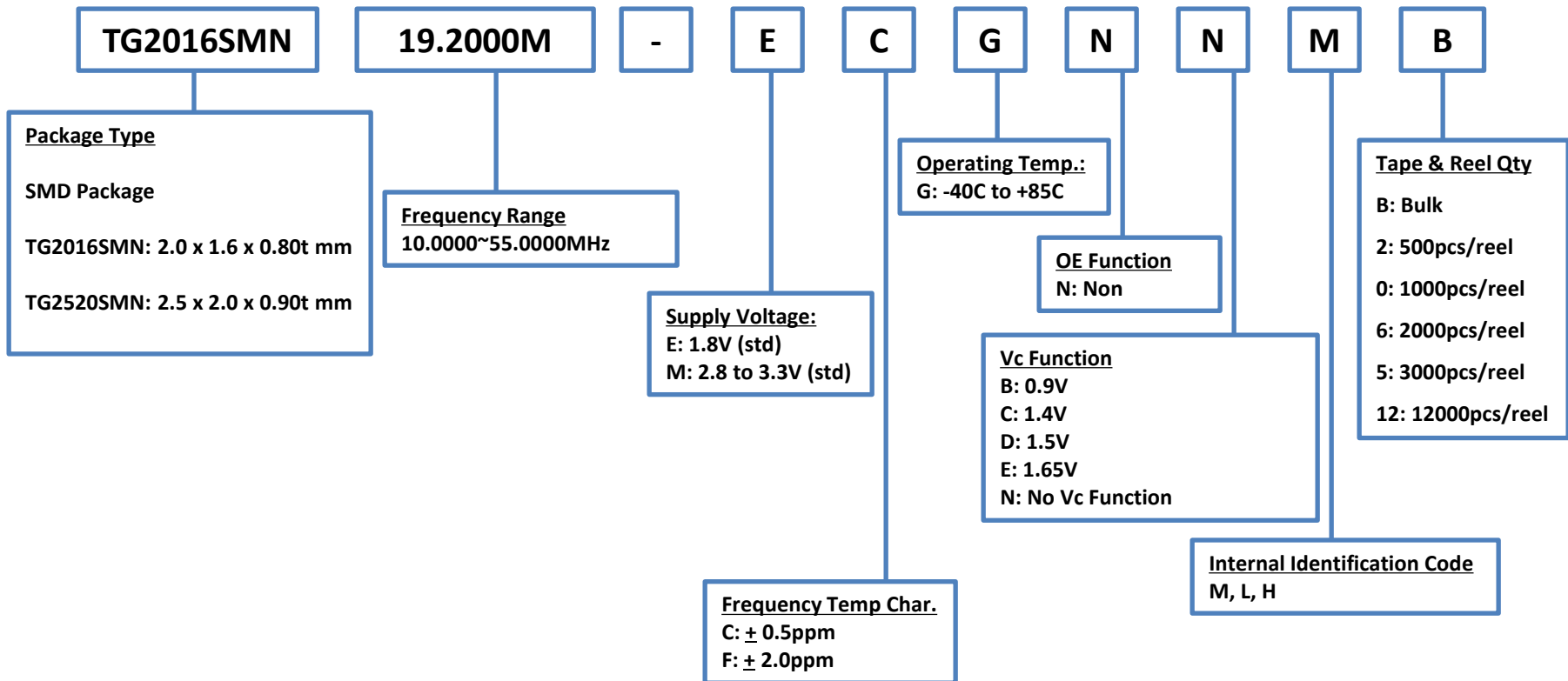
NOTE:

Please contact Epson for requirements not listed in this specification.

# Product Configuration System



## TCXO/VC-TCXO High Stability



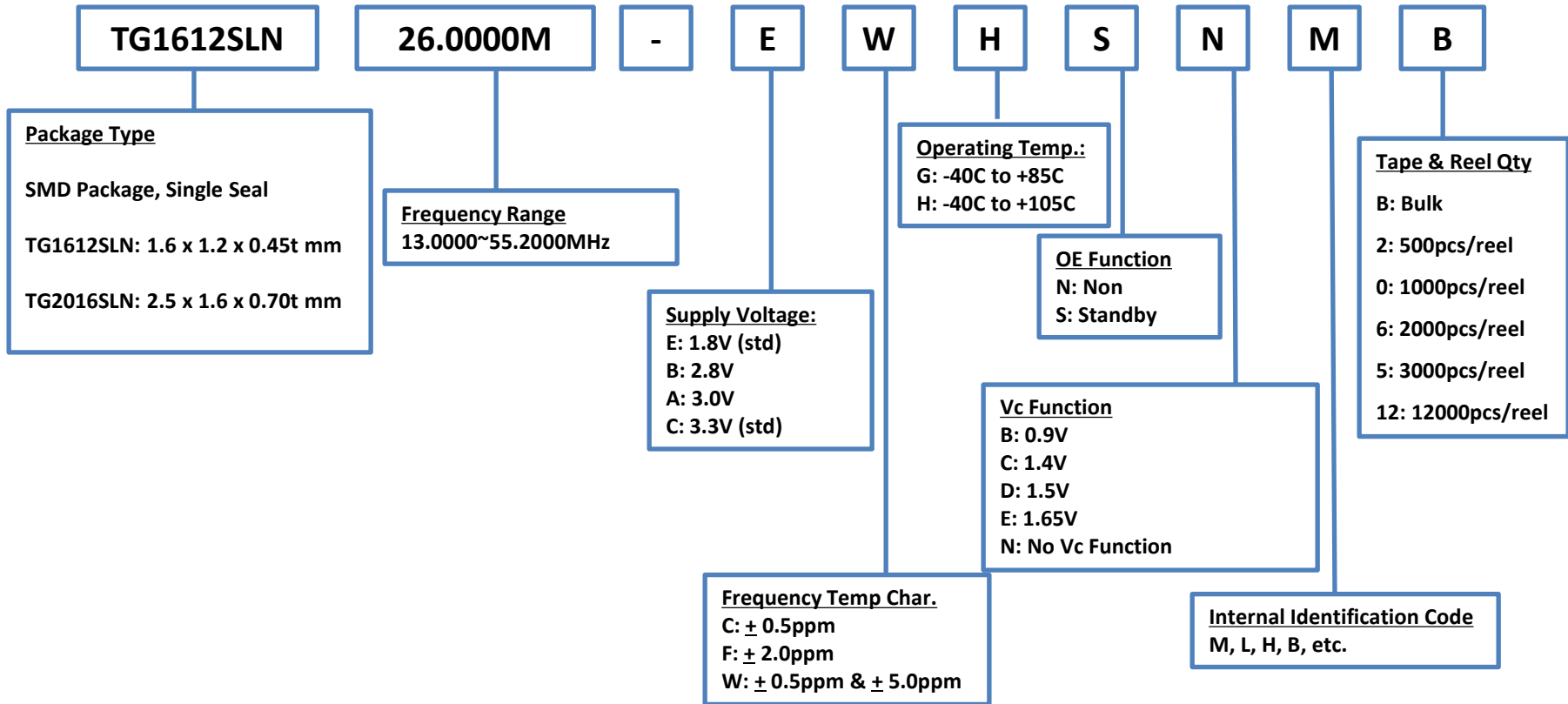
**NOTE:**

Please contact Epson for requirements not listed in this specification.

# Product Configuration System



## TCXO/VC-TCXO High Stability



August 2024

### NOTE:

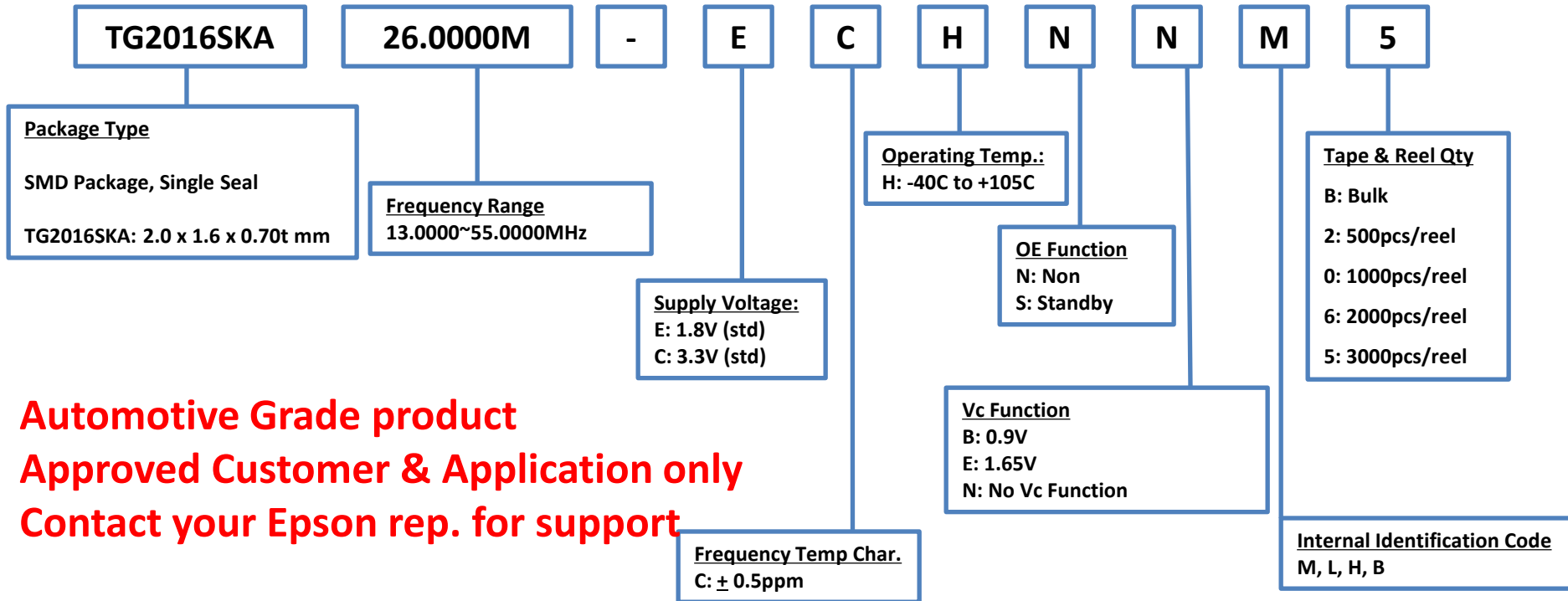
Stability "CG" (+/-0.5ppm -40/85C), "WH" (+/- 0.5 & +/-5.0ppm -40/105C) are available. For stability +/-0.5ppm -40/105C, please see TG2016SKA with stability "CH"

Please contact Epson for requirements not listed in this specification.

# Product Configuration System



## TCXO/VC-TCXO High Stability for Automotive



**Automotive Grade product**  
**Approved Customer & Application only**  
**Contact your Epson rep. for support**

**NOTE:**

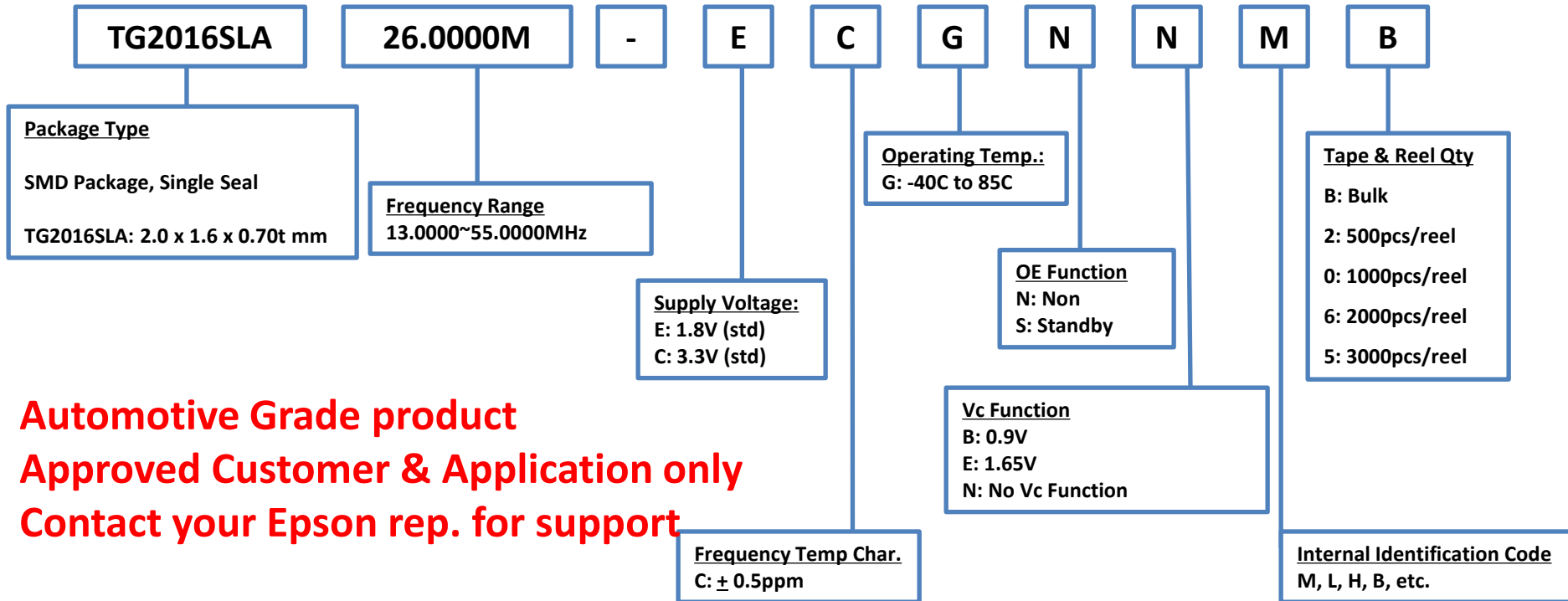
Please contact us for requirements not listed in this specification.



# Product Configuration System



## TCXO/VC-TCXO High Stability for Automotive



**Automotive Grade product**  
**Approved Customer & Application only**  
**Contact your Epson rep. for support**



August 2024

**NOTE:**

Stability "CG" (+/-0.5ppm -40/85C) are available. For stability +/-0.5ppm -40/105C, please see TG2016SKA with stability "CH"

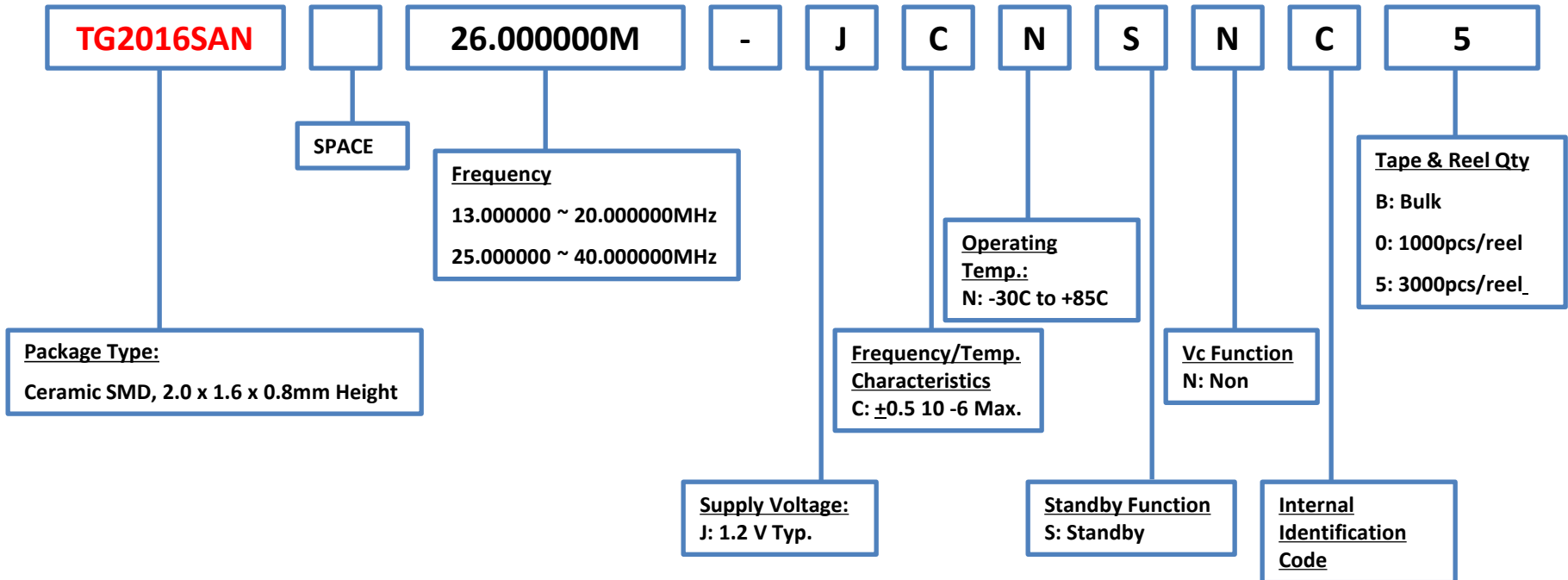
Please contact us for requirements not listed in this specification.

# Product Configuration System



TCXO

## Discontinued



### NOTE:

Please contact us for requirements not listed in this specification.

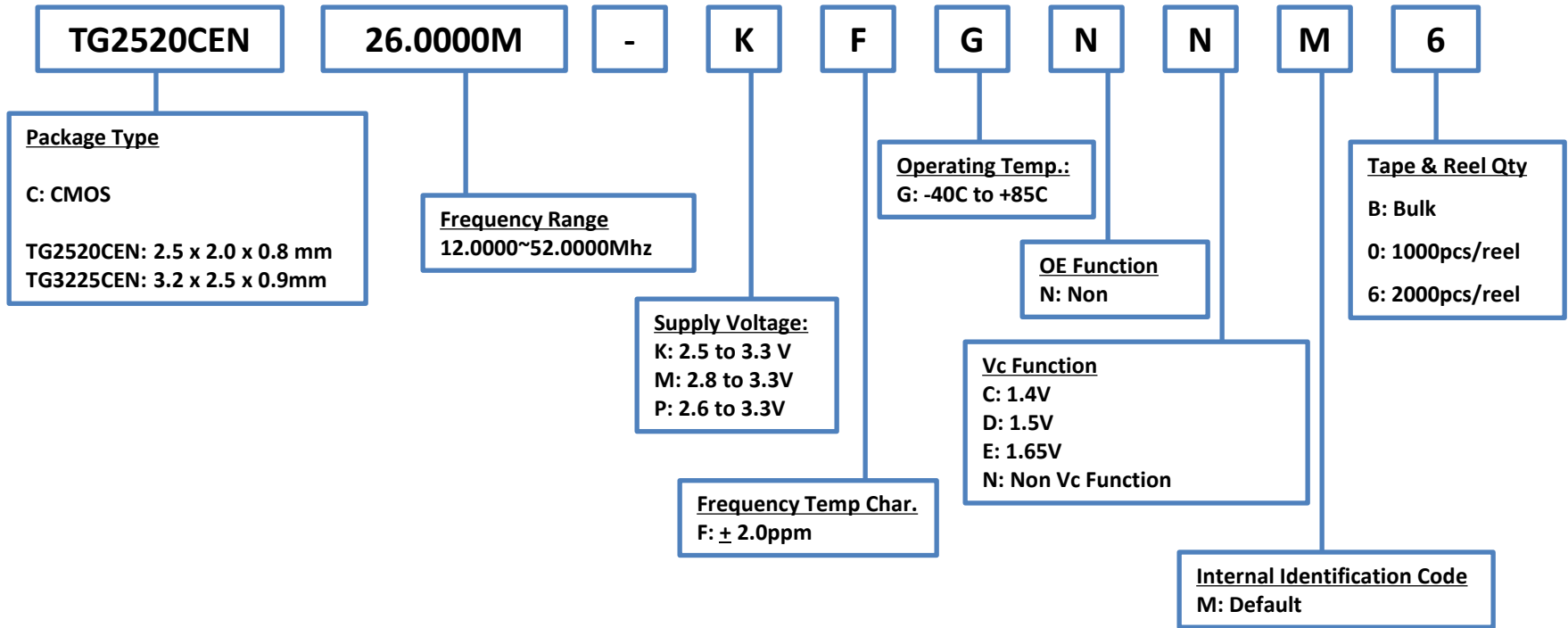
# EPSON

August 2024

# Product Configuration System



## TCXO/VC-TCXO High Stability



**NOTE:**

Please contact Epson for requirements not listed in this specification.

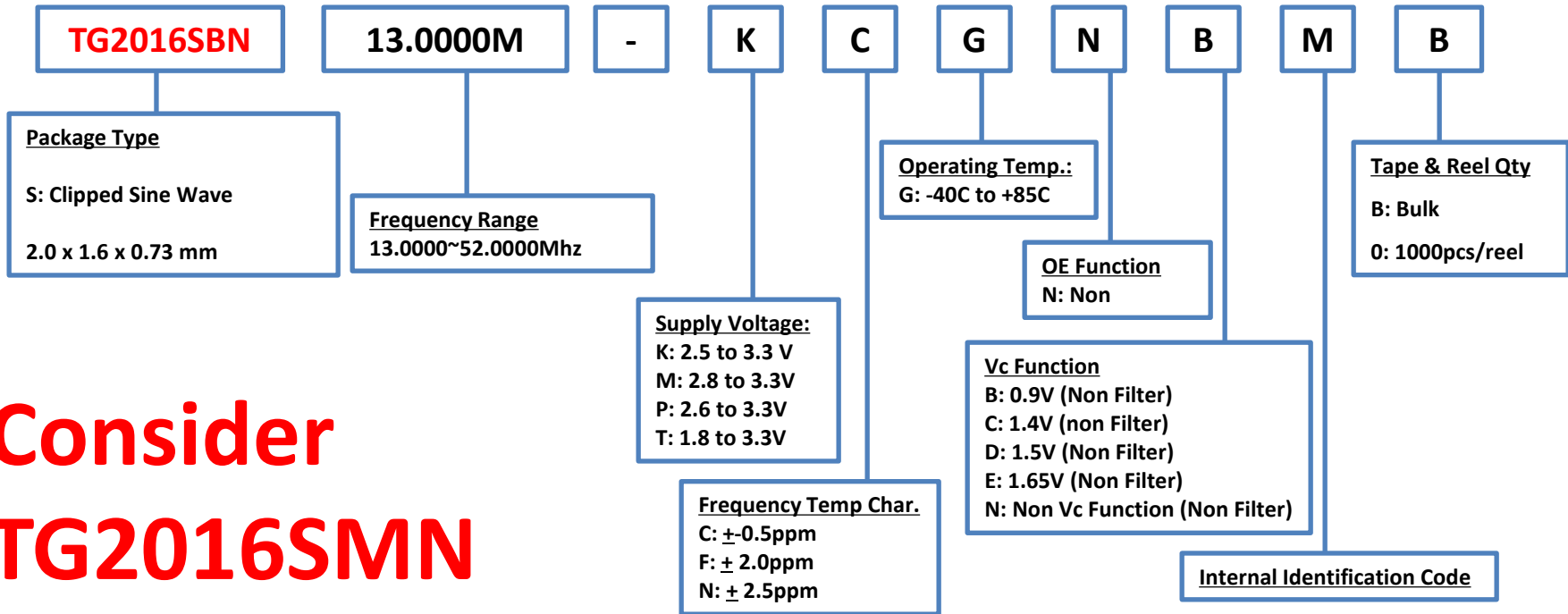


# Product Configuration System



TCXO/VC-TCXO High Stability

# Discontinued



# Consider TG2016SMN

**NOTE:**

Please contact us for requirements not listed in this specification.

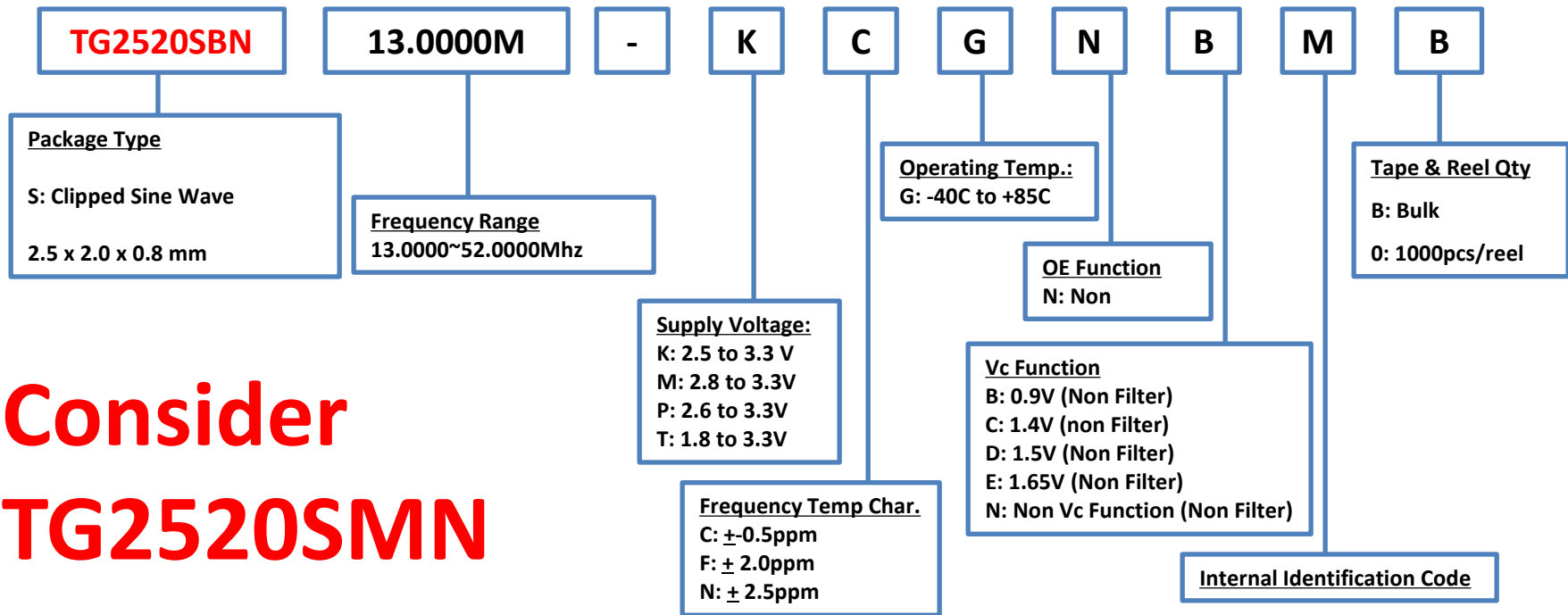


# Product Configuration System



TCXO/VC-TCXO High Stability

# Discontinued



# Consider TG2520SMN

**NOTE:**

Please contact us for requirements not listed in this specification.



# Product Configuration System



## TCXO

TG-5006CJ

-

xxx

19.2000M

### Package Type:

TG-5006CJ - 2.0 X 1.6 X 0.8 mm  
TG-5006CG - 2.5 X 2.0 X 0.9 mm  
TG-5006CE - 3.2 X 2.5 X 1.0 mm

TG-5035CJ - 2.0 X 1.6 X 0.8 mm  
TG-5035CG - 2.5 X 2.0 X 0.9 mm  
TG-5035CE - 3.2 X 2.5 X 1.0 mm

TG-5031CJ - 2.0 X 1.6 X 0.8 mm  
TG-5021CG - 2.5 X 2.0 X 0.9 mm  
TG-5021CE - 3.2 X 2.5 X 1.0 mm

### Specification Code:

Issued by Epson after reviewing customer requirements

### Frequency

TG-5006CJ/CG/CE: 13 ~ 52MHz  
STD Freqs: 16.367667, 16.368, 16.369, 19.2, 26, 38.4MHz

TG-5035CE: 10 ~ 40 MHz  
TG-5035CJ/CG/: 13 ~ 52MHz  
STD Freqs: 13, 16.368, 16.369, 19.2, 26, 38.4MHz

TG-5031CJ/TG-5021CG: 13 ~ 52MHz  
TG-5021CE: 10 ~ 40MHz  
STD Freqs: 13, 19.2, 26, 38.4MHz

# EPSON

August 2024

### NOTE:

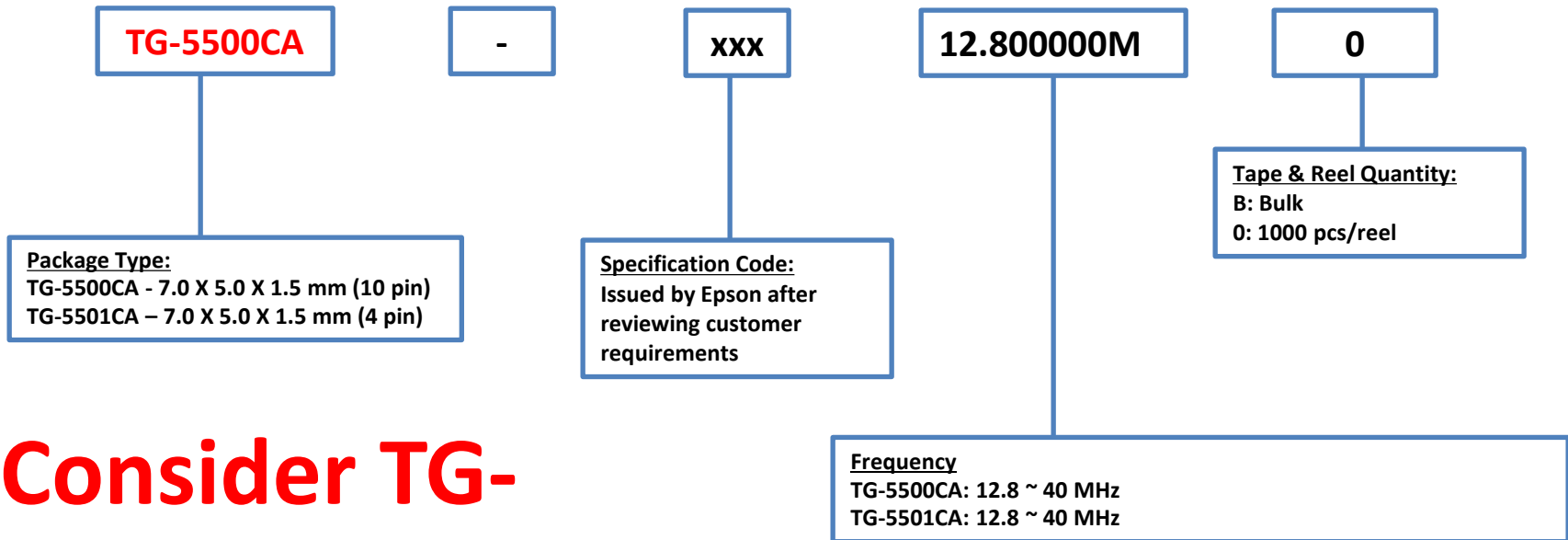
Please contact us for requirements not listed in this specification.

# Product Configuration System



TCXO/VC-TCXO  
Ultra High Stability

## Discontinued



## Consider TG-5510CA

# EPSON

August 2024

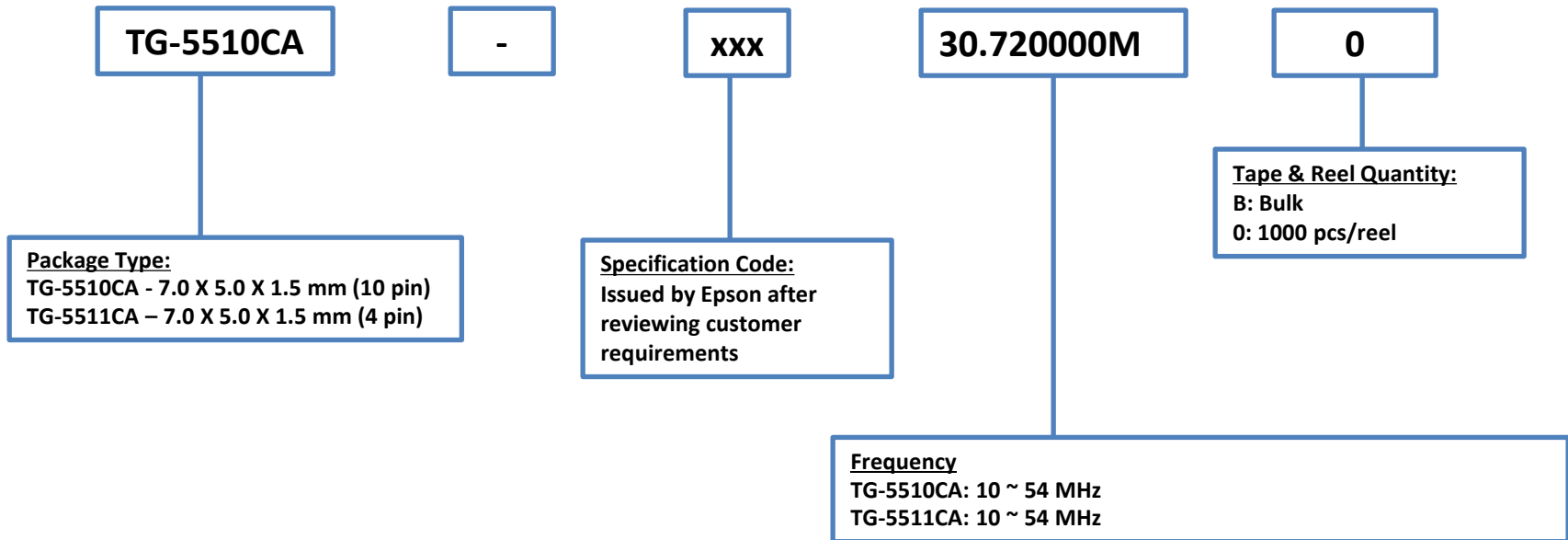
### NOTE:

Please contact us for requirements not listed in this specification.

# Product Configuration System



## TCXO/VC-TCXO Ultra High Stability



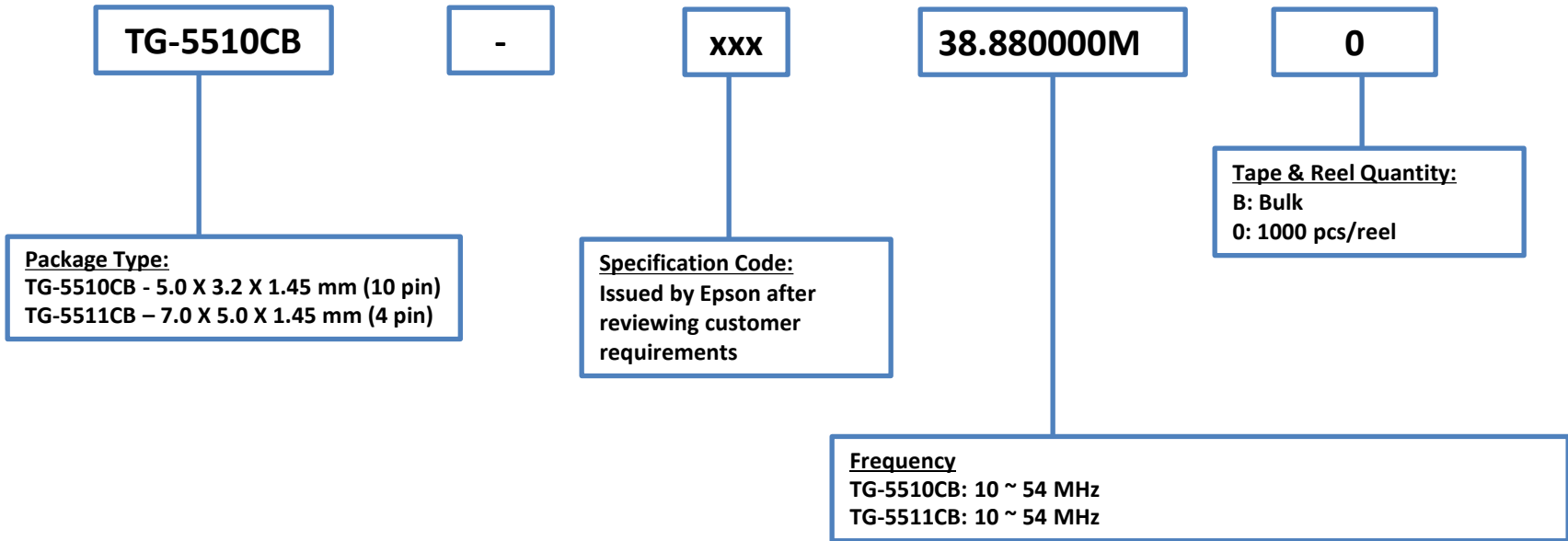
### NOTE:

Please contact us for requirements not listed in this specification.

# Product Configuration System



## TCXO/VC-TCXO Ultra High Stability



**NOTE:**

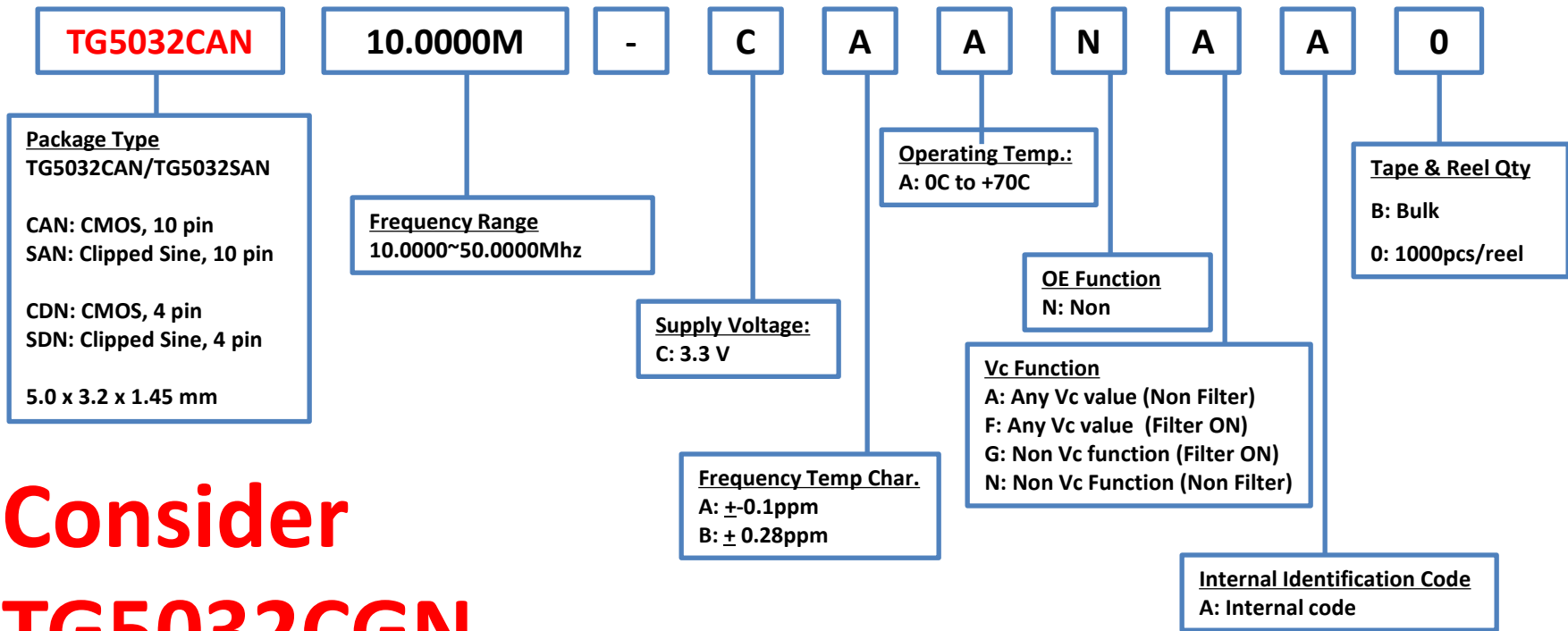
Please contact us for requirements not listed in this specification.

# Product Configuration System



TCXO/VC-TCXO Ultra High Stability

# Discontinued



# Consider TG5032CGN

# EPSON

August 2024

**NOTE:**

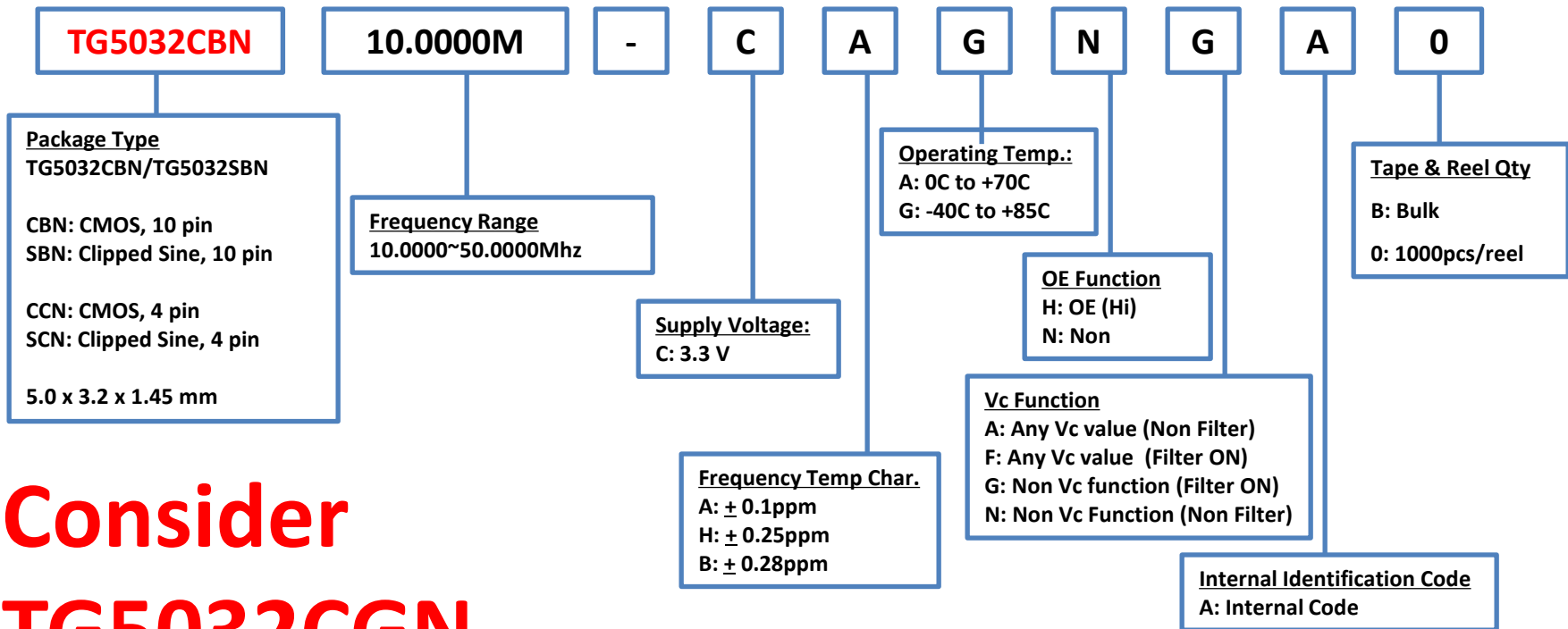
Please contact us for requirements not listed in this specification. 104

# Product Configuration System



TCXO/VC-TCXO Ultra High Stability

# Discontinued



# Consider TG5032CGN

# EPSON

August 2024

### NOTE:

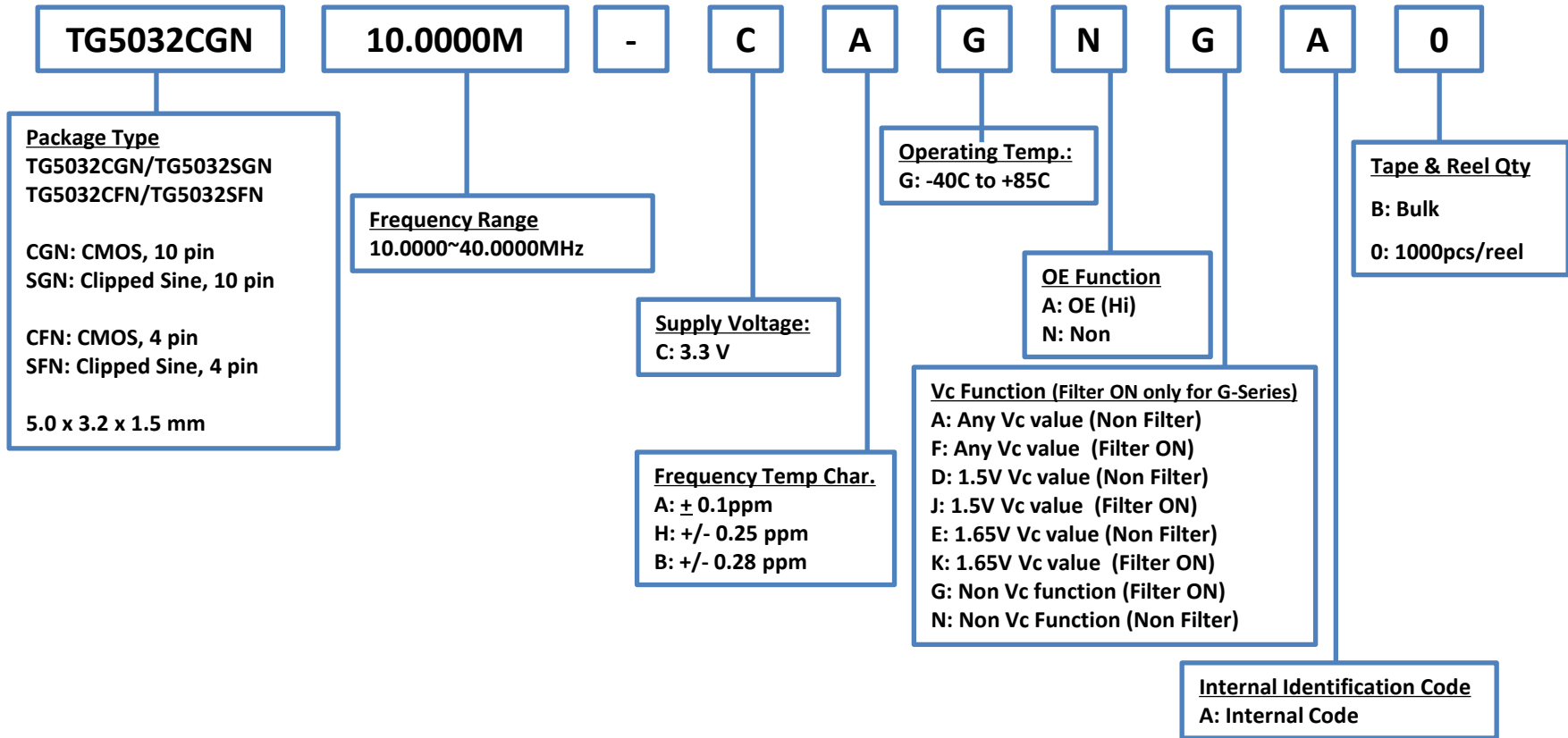
Please contact us for requirements not listed in this specification. 105



# Product Configuration System



## TCXO/VC-TCXO Ultra High Stability



August 2024

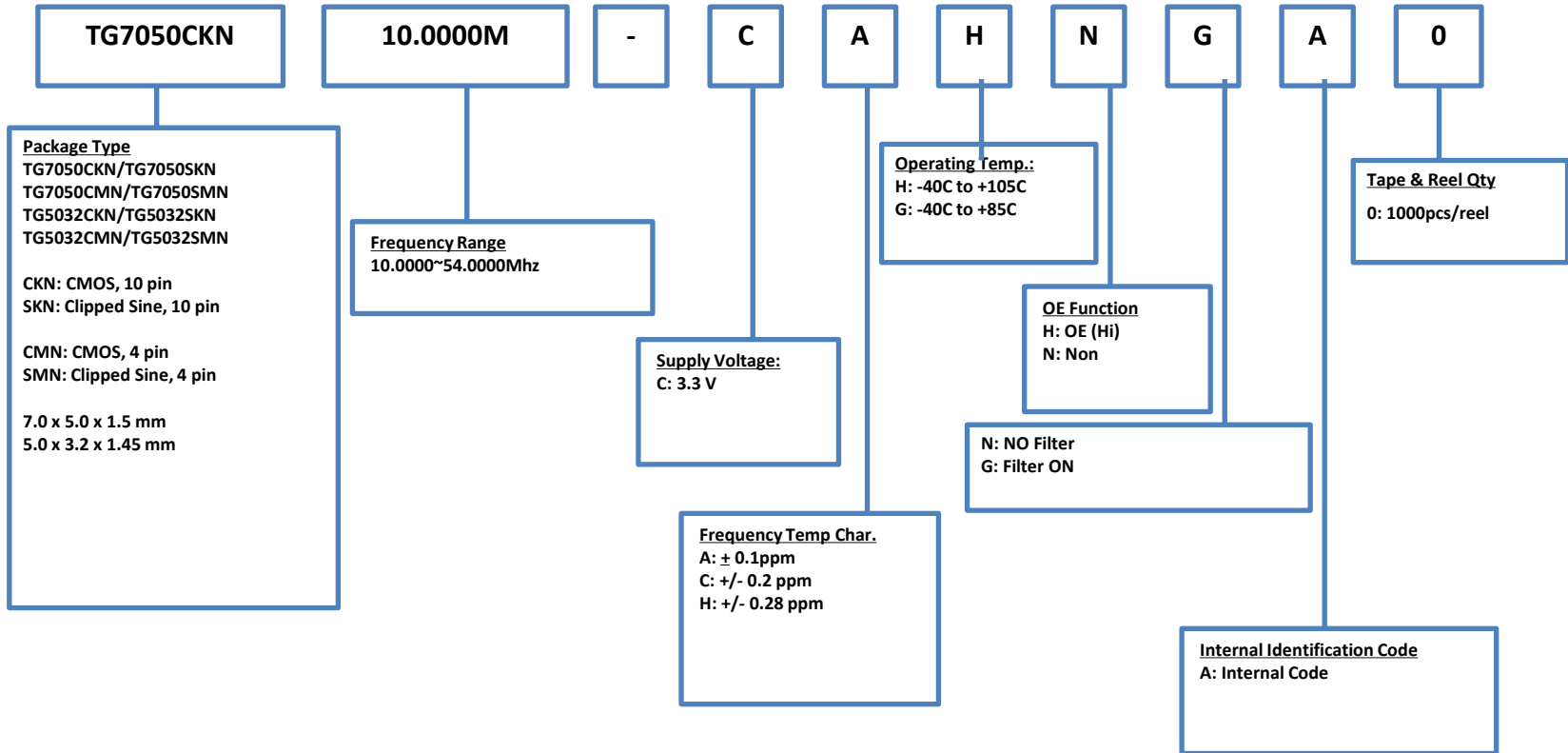
**NOTE:**

Please contact us for requirements not listed in this specification. 106

# Product Configuration System



## TCXO/VC-TCXO Ultra High Stability



**NOTE:**  
Please contact us for requirements not listed in this specification.