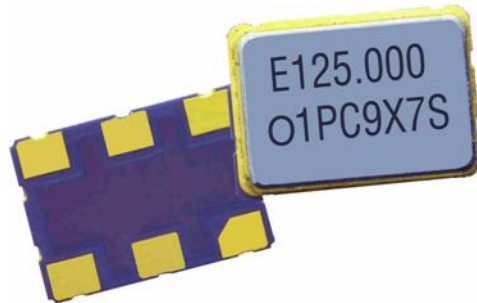


Product Configuration Guide

SAW OSCILLATORS

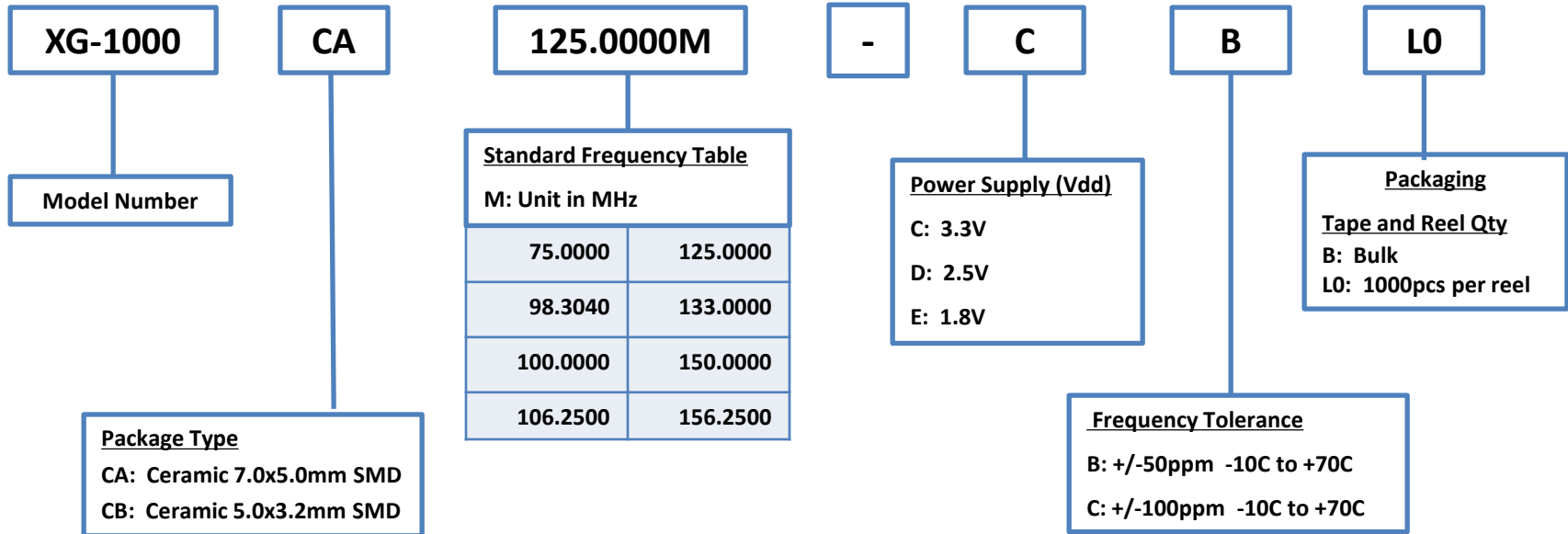


Product Configuration System



Crystal Oscillators – Low Jitter (SAW)

Not Recommended

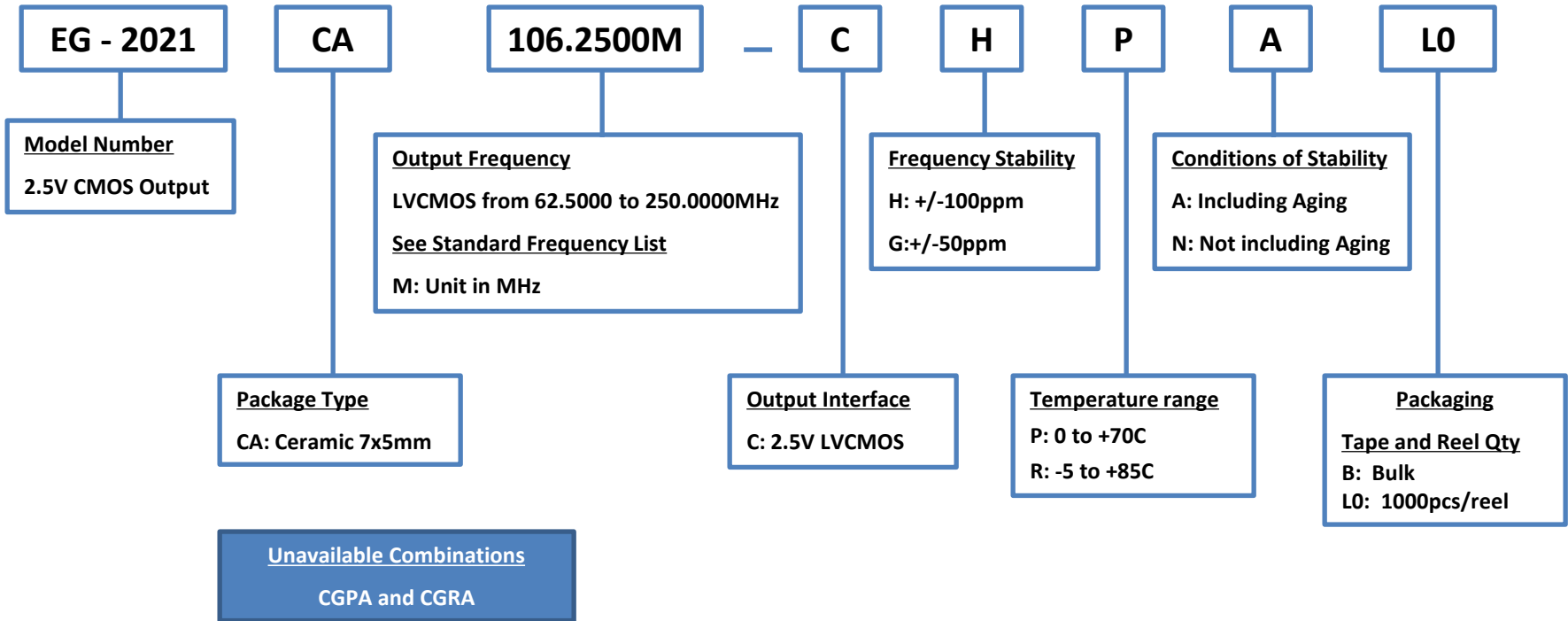


Product Configuration System



Crystal Oscillators – Low Jitter (SAW)

Not Recommended



Standard Frequencies

EG-2021CA (2.5V CMOS)

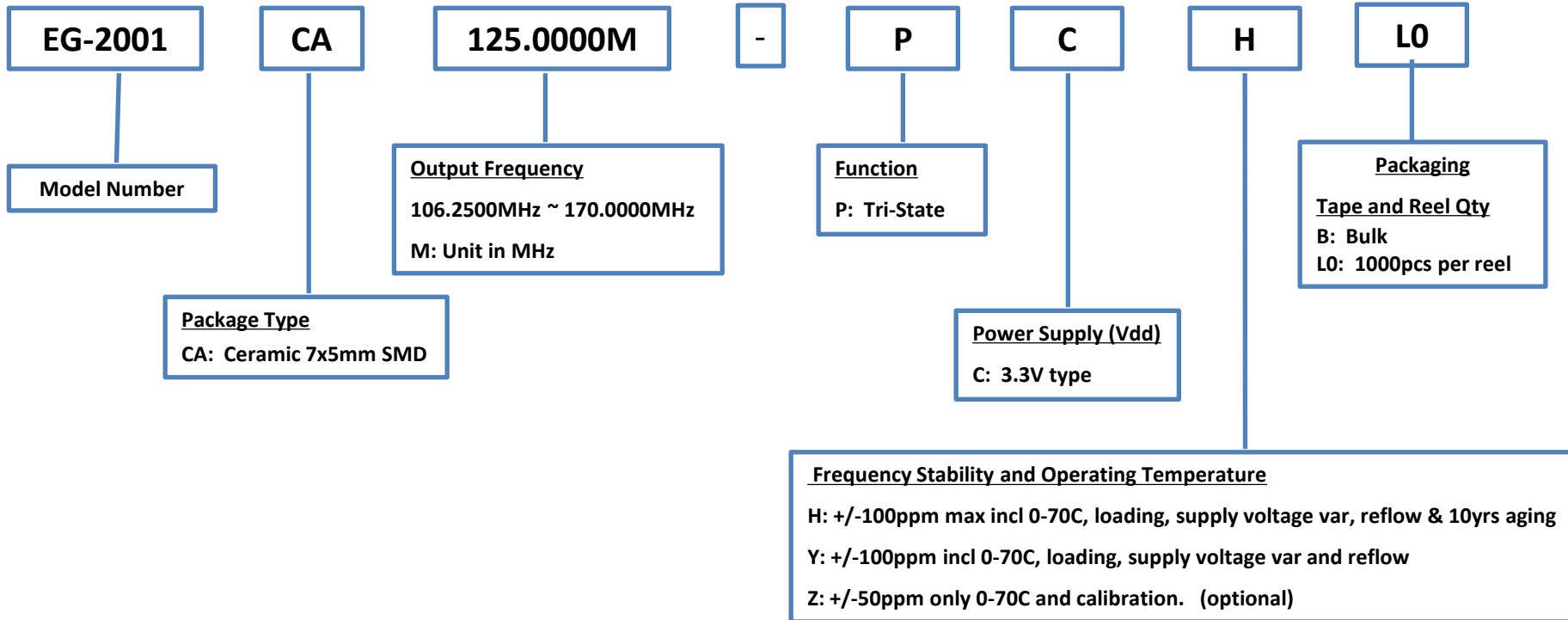
62.5000	125.0000
66.5000	133.0000
75.0000	150.0000
78.1250	156.2500
90.0000	250.0000
98.3040	
100.0000	
106.2500	
108.0000	
124.4160	

Product Configuration System



Crystal Oscillators – Low Jitter (SAW)

Not Recommended



Standard Frequencies

EG-2001 (3.3V CMOS)

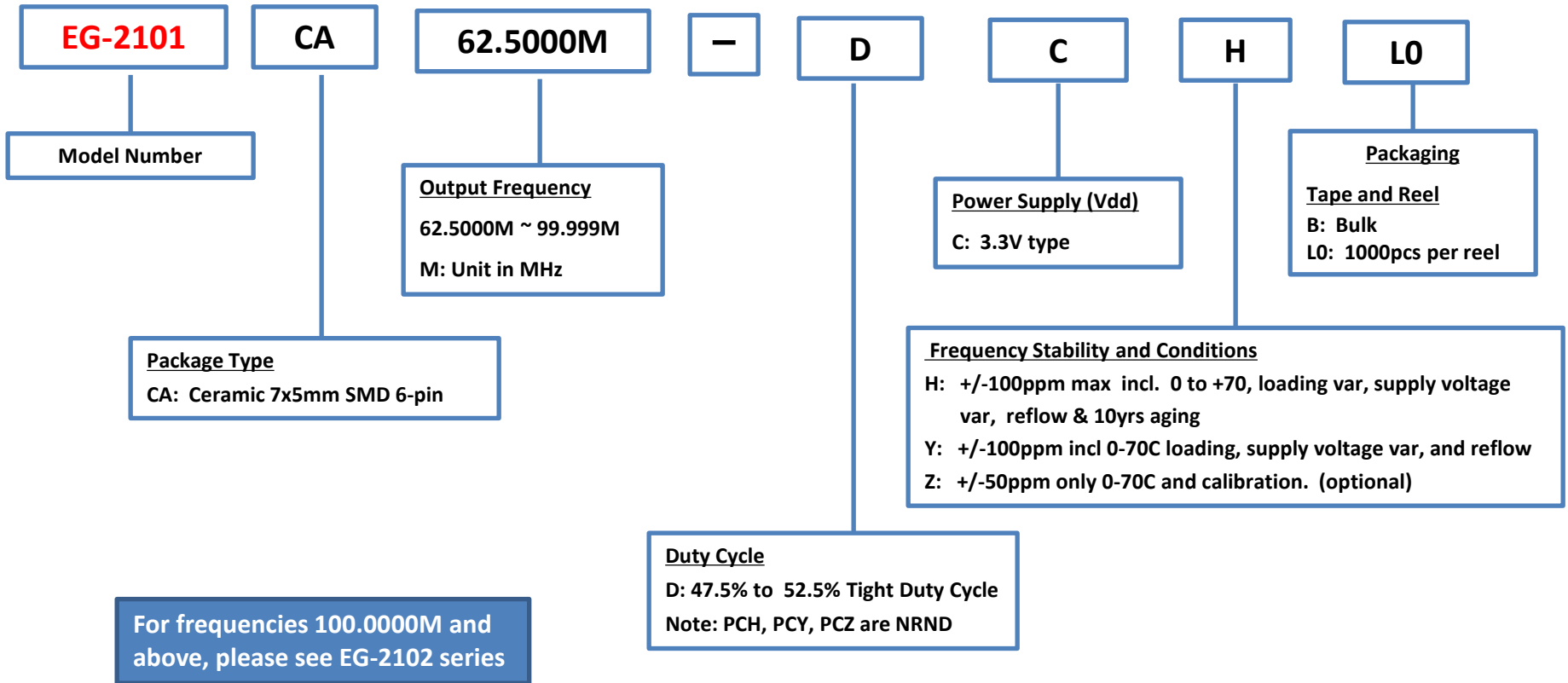
106.2500	155.5200
108.0000	156.2500
125.0000	159.3750
128.0000	160.0000
132.8125	161.1328
133.0000	166.0000
133.3333	166.6285
135.0000	166.6667
143.0000	167.3316
150.0000	

Product Configuration System



Crystal Oscillators – Low Jitter (SAW)

Discontinued



Standard Frequencies

EG-2101

EG-2101CA DCx	
62.5000	79.6875
64.0000	80.0000
66.4063	80.5664
66.5000	83.0000
66.6667	83.3143
67.5000	83.3333
71.5000	83.6658
75.0000	87.5000
77.7600	90.0000
78.1250	

For frequencies 100.0000M and above, please see EG-2102 series

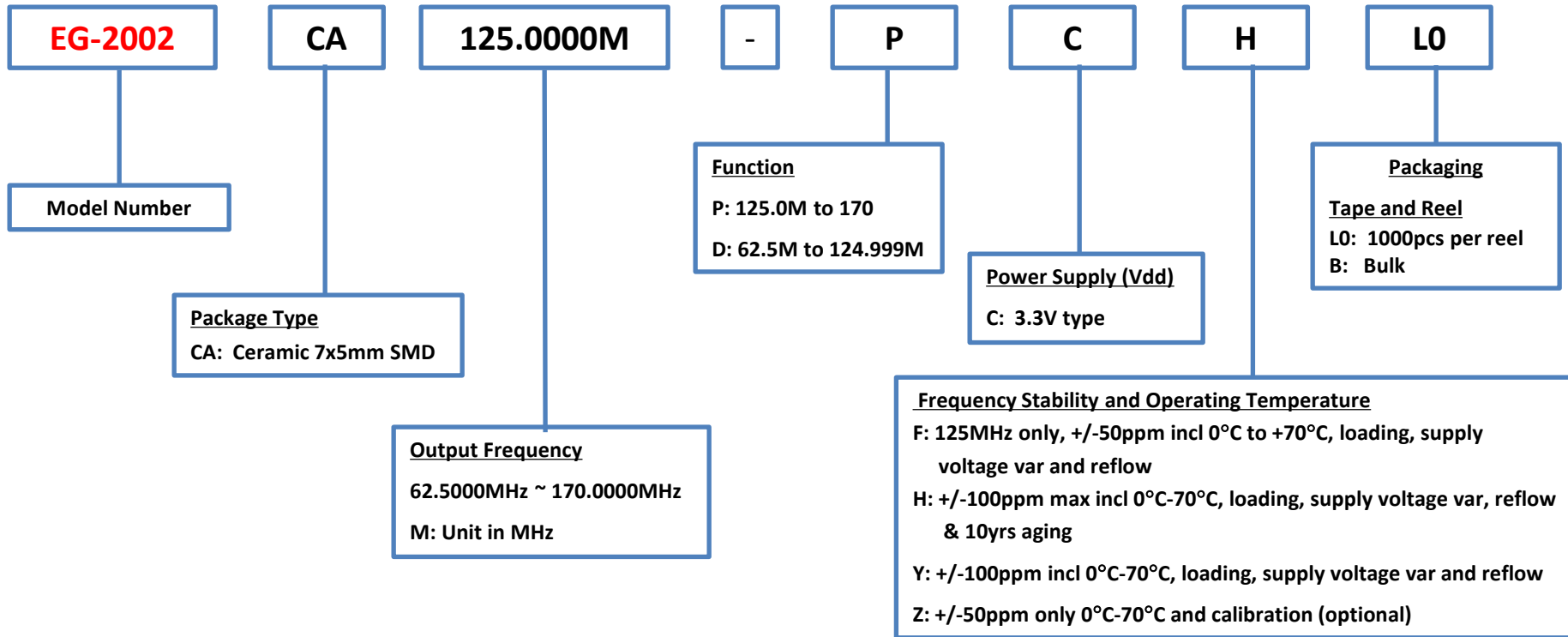


Product Configuration System



Crystal Oscillators – Low Jitter (SAW)

Discontinued



Standard Frequencies

EG-2002 (LVTTL)

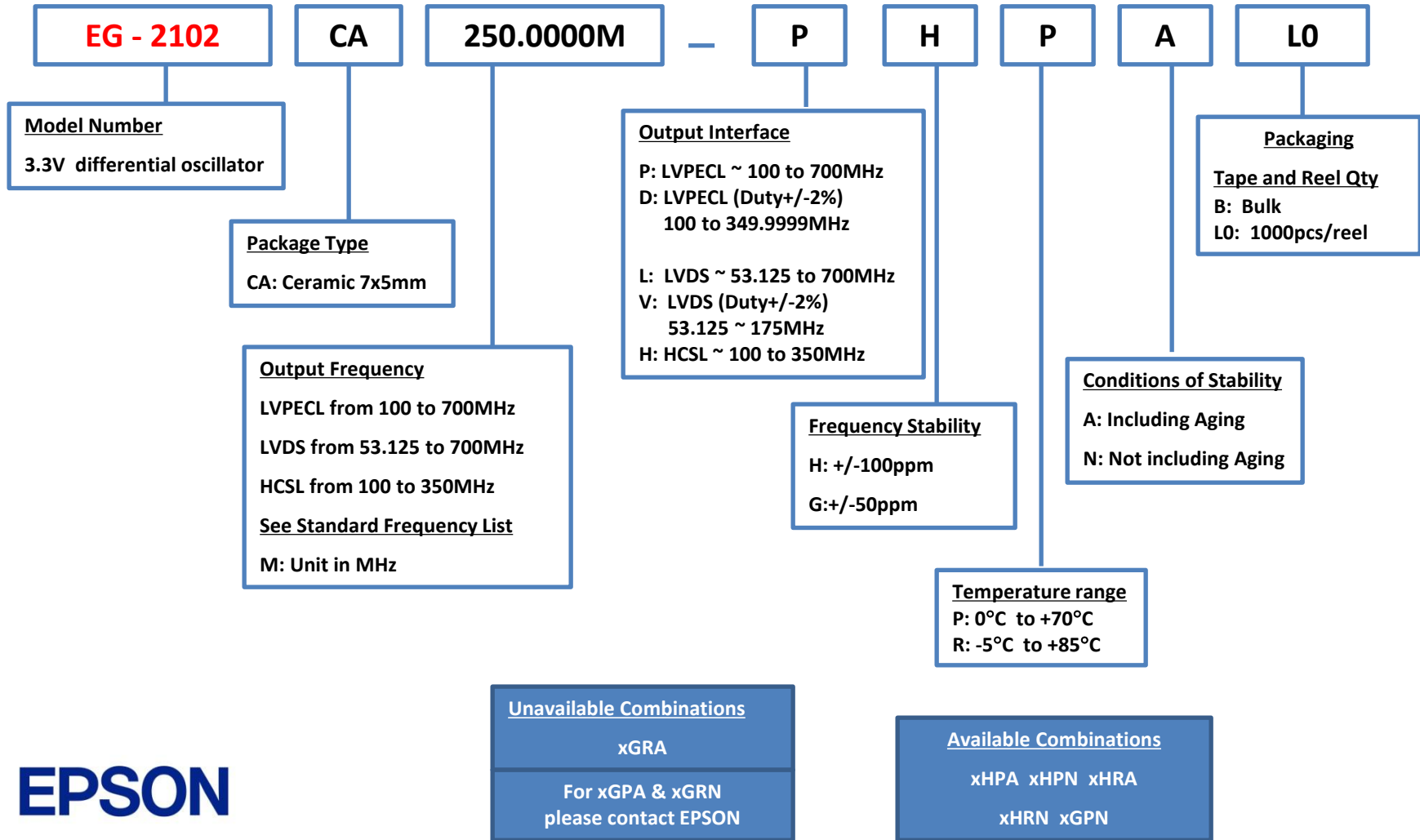
EG-2002CA DCx		EG-2002CA PCx	
62.5000	80.5664	125.0000	161.1328
64.0000	83.0000	128.0000	166.0000
66.4063	83.3143	132.8125	166.6286
66.5000	83.3333	133.0000	166.6667
66.6667	83.6658	133.3333	167.3316
67.5000	87.5000	135.0000	
71.5000	90.0000	143.0000	
75.0000	100.0000	150.0000	
77.7600	106.2500	155.5200	
78.1250		156.2500	
79.6875		159.3750	
80.0000		160.0000	

Product Configuration System



Crystal Oscillators – Low Jitter (SAW)

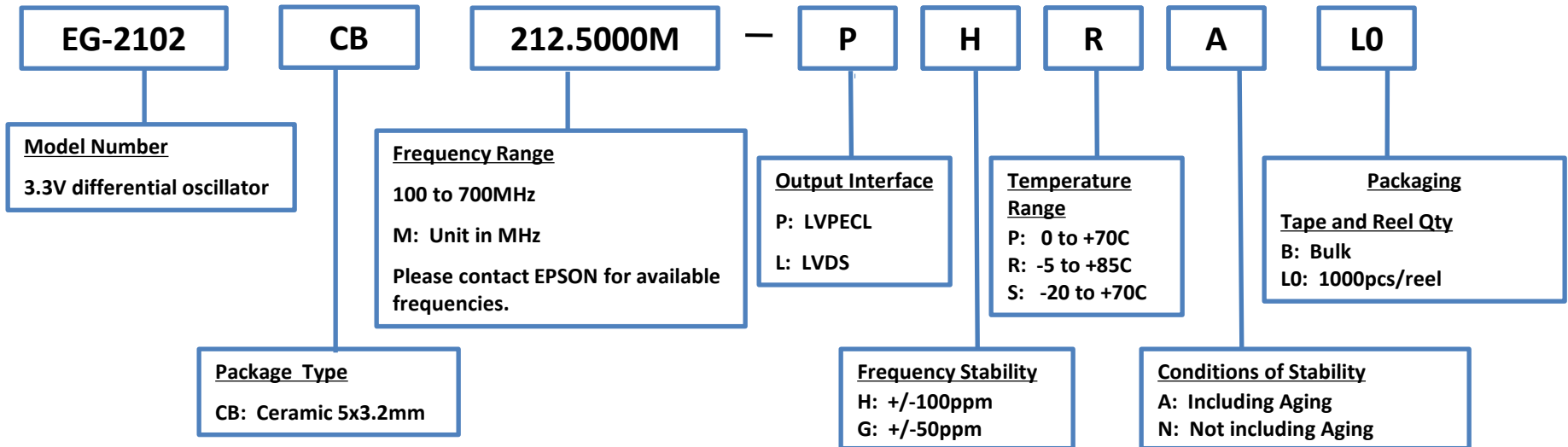
Discontinued



Product Configuration System



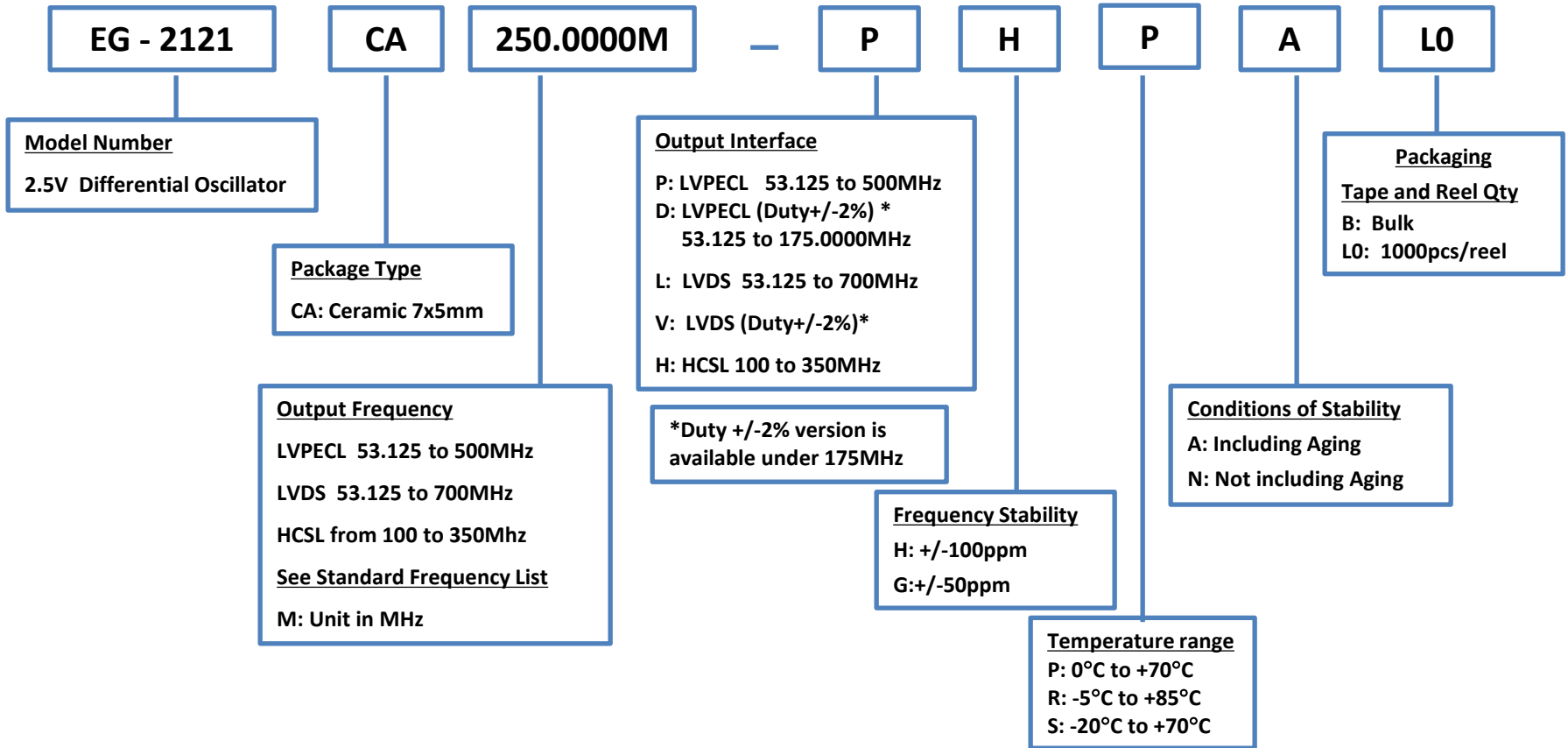
Crystal Oscillators – Low Jitter (SAW)



Product Configuration System



Crystal Oscillators – Low Jitter (SAW)



Unavailable Combinations
xGRA
For xGPA & xGRN
please contact EPSON

Available Combinations
xHPA xHPN xHRA
xHRN xGPN



Standard Frequencies

EG-2121 P (LVPECL)

53.1250 *	97.6563	195.3125	390.6250
62.5000 *	98.3040	196.6080	393.2160
66.6667 *	100.0000	200.0000	400.0000
75.0000 *	106.2500	212.5000	425.0000
78.1250 *	124.4160	248.8320	497.6640
79.6875 *	125.0000	250.0000	500.0000
80.0000 *	132.8125	265.6250	
87.5000 *	133.0000	266.0000	
	148.3517	296.7033	
	150.0000	300.0000	
	150.8072	301.6144	
	155.5200	311.0400	
	156.2500	312.5000	
	159.3750	318.7500	
	161.1328	322.2657	
	164.3555	328.7110	
	166.6286	333.2572	
	167.3317	334.6633	
	173.3708	346.7415	
	175.0000	350.0000	
* Frequency only available for xHPA and xHPN			

Standard Frequencies

EG-2121 L (LVDS)

53.1250 *	97.6563	195.3125	390.6250
62.5000 *	98.3040	196.6080	393.2160
66.6667 *	100.0000	200.0000	400.0000
75.0000 *	106.2500	212.5000	425.0000
78.1250 *	124.4160	248.8320	497.6640
79.6875 *	125.0000	250.0000	500.0000
80.0000 *	132.8125	265.6250	531.2500
87.5000 *	133.0000	266.0000	532.0000
	148.3517	296.7033	593.4066
	150.0000	300.0000	600.0000
	150.8072	301.6144	603.2288
	156.2500	312.5000	625.0000
	159.3750	318.7500	637.5000
	161.1328	322.2656	644.5313
	164.3555	328.7109	657.4219
	166.6286	333.2571	666.5143
	167.3316	334.6633	669.3266
	173.3707	346.7415	693.4830
	175.0000	350.0000	700.0000
* Frequency only available for xHPA and xHPN			

Standard Frequencies

EG-2121 (HCSL)

-	195.3125
-	196.6080
100.0000	200.0000
106.2500	212.5000
124.4160	248.8320
125.0000	250.0000
132.8125	265.6250
133.0000	266.0000
148.3517	296.7033
150.0000	300.0000
150.8072	301.6144
155.5200	311.0400
156.2500	312.5000
159.3750	318.7500
161.1328	322.2656
164.3555	328.7109
166.6286	333.2571
167.3316	334.6633
173.3707	346.7415
175.0000	350.0000

Standard Frequencies

EG-2102P (LVPECL)

-	195.3125	390.6250
-	196.6080	393.2160
100.0000	200.0000	400.0000
106.2500	212.5000	425.0000
124.4160	248.8320	497.6640
125.0000	250.0000	500.0000
132.8125	265.6250	531.2500
133.0000	266.0000	532.0000
148.3517	296.7033	593.4066
150.0000	300.0000	600.0000
150.8072	301.6144	603.2288
155.5200	311.0400	622.0800
156.2500	312.5000	625.0000
159.3750	318.7500	637.5000
161.1328	322.2656	644.5313
164.3555	328.7109	657.4219
166.6286	333.2571	666.5143
167.3316	334.6633	669.3266
173.3707	346.7415	693.4830
175.0000	350.0000	700.0000

Standard Frequencies

EG-2102 L (LVDS)

53.1250 *	97.6563	195.3125	390.6250
62.5000 *	98.3040	196.6080	393.2160
66.6667 *	100.0000	200.0000	400.0000
75.0000 *	106.2500	212.5000	425.0000
78.1250 *	124.4160	248.8320	497.6640
79.6875 *	125.0000	250.0000	500.0000
80.0000 *	132.8125	265.6250	531.2500
87.5000 *	133.0000	266.0000	532.0000
	148.3517	296.7033	593.4066
	150.0000	300.0000	600.0000
	150.8072	301.6144	603.2288
	155.5200	311.0400	622.0800
	156.2500	312.5000	625.0000
	159.3750	318.7500	637.5000
	161.1328	322.2656	644.5313
	164.3555	328.7109	657.4219
	166.6286	333.2571	666.5143
	167.3316	334.6633	669.3266
	173.3707	346.7415	693.4830
	175.0000	350.0000	700.0000
* Frequency only available for xHPA and xHPN			

Standard Frequencies

EG-2102P (HCSL)

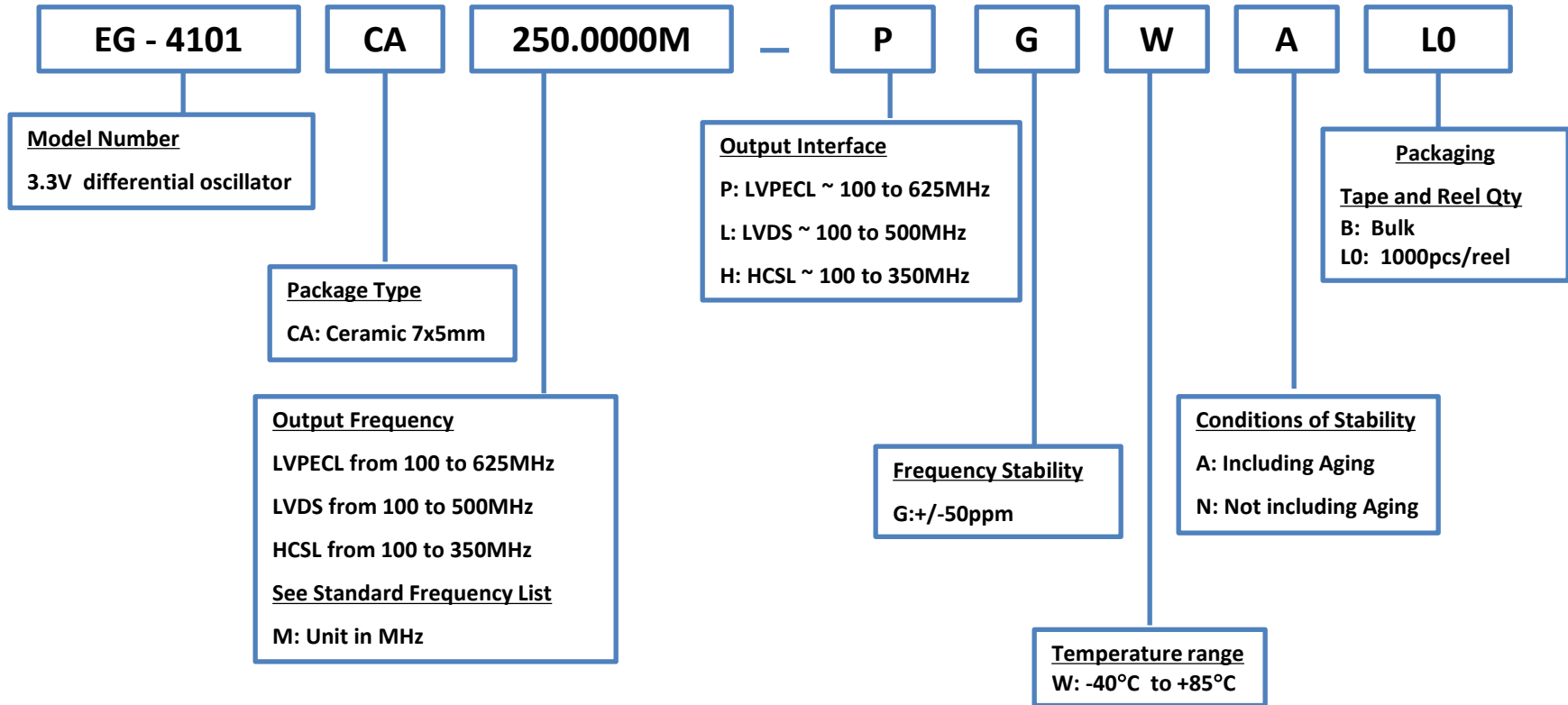
-	195.3125
-	196.6080
100.0000	200.0000
106.2500	212.5000
124.4160	248.8320
125.0000	250.0000
132.8125	265.6250
133.0000	266.0000
148.3517	296.7033
150.0000	300.0000
150.8072	301.6144
155.5200	311.0400
156.2500	312.5000
159.3750	318.7500
161.1328	322.2656
164.3555	328.7109
166.6286	333.2571
167.3316	334.6633
173.3707	346.7415
175.0000	350.0000



Product Configuration System



Crystal Oscillators – Low Jitter (SAW)



Standard Frequencies

EG-4101 (LVPECL)

100.0000	400.0000	
106.2500	425.0000	
121.1090	484.4360	
133.0000	532.0000	
140.0000	560.0000	
140.6665	562.6660	
156.2500	625.0000	
161.1320		
168.0407		
170.0000		
200.0000		
212.5000		
242.2180		
266.0000		
280.0000		
281.3330		
312.5000		
322.2640		
336.0814		
340.0000		



Standard Frequencies

EG-4101 (LVDS)

100.0000	400.0000	
106.2500	425.0000	
121.1090	484.4360	
133.0000		
140.0000		
140.6665		
156.2500		
161.1320		
168.0407		
170.0000		
200.0000		
212.5000		
242.2180		
266.0000		
280.0000		
281.3330		
312.5000		
322.2640		
336.0814		
340.0000		



Standard Frequencies

EG-4101 (HC SL)

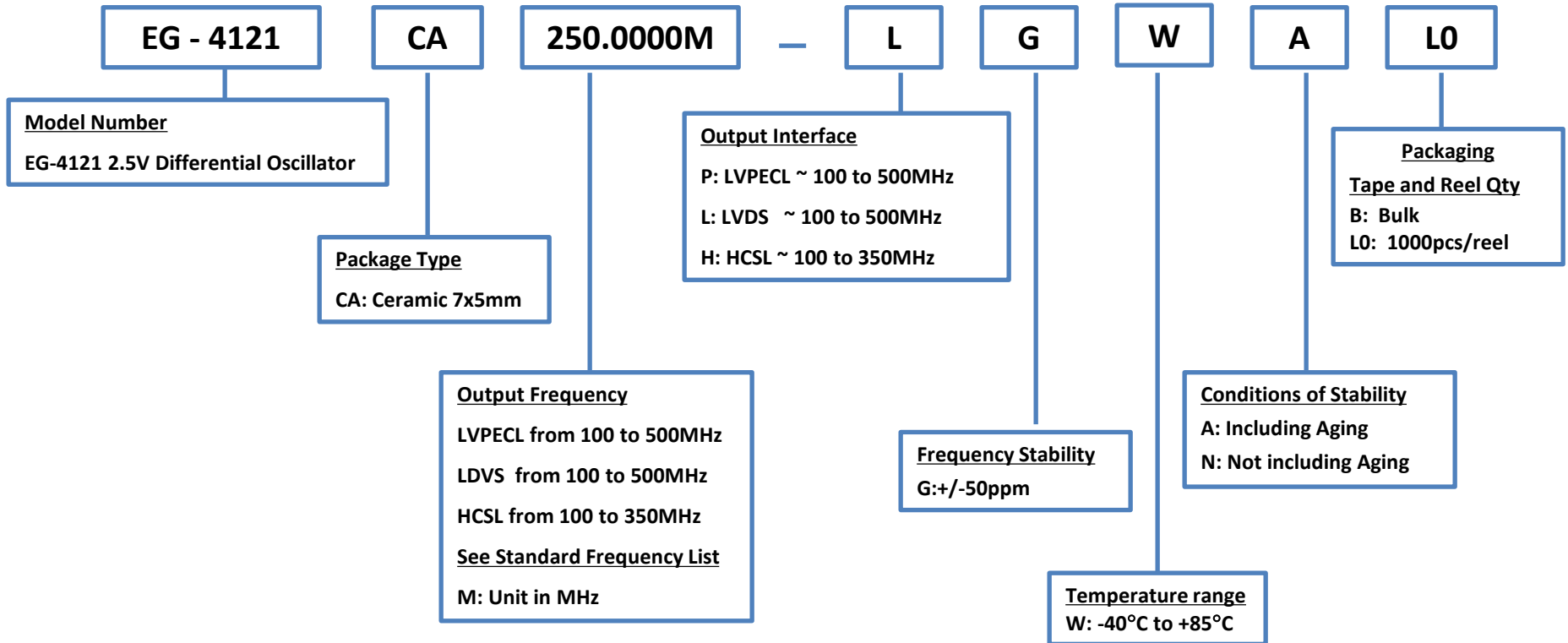
100.0000		
106.2500		
121.1090		
133.0000		
140.0000		
140.6665		
156.2500		
161.1320		
168.0407		
170.0000		
200.0000		
212.5000		
242.2180		
266.0000		
280.0000		
281.3330		
312.5000		
322.2640		
336.0814		
340.0000		



Product Configuration System



Crystal Oscillators – Low Jitter (SAW)



Standard Frequencies

EG-4101 (LVPECL)

100.0000	400.0000	
106.2500	425.0000	
121.1090	484.4360	
133.0000		
140.0000		
140.6665		
156.2500		
161.1320		
168.0407		
170.0000		
200.0000		
212.5000		
242.2180		
266.0000		
280.0000		
281.3330		
312.5000		
322.2640		
336.0814		
340.0000		



Standard Frequencies

EG-4101 (LVDS)

100.0000	400.0000	
106.2500	425.0000	
121.1090	484.4360	
133.0000		
140.0000		
140.6665		
156.2500		
161.1320		
168.0407		
170.0000		
200.0000		
212.5000		
242.2180		
266.0000		
280.0000		
281.3330		
312.5000		
322.2640		
336.0814		
340.0000		



Standard Frequencies

EG-4101 (HCSL)

100.0000		
106.2500		
121.1090		
133.0000		
140.0000		
140.6665		
156.2500		
161.1320		
168.0407		
170.0000		
200.0000		
212.5000		
242.2180		
266.0000		
280.0000		
281.3330		
312.5000		
322.2640		
336.0814		
340.0000		



High-Frequency Applications for SAW Oscillators

- 75.000M Serial ATA/SAS
- 98.304M 1394b
- 100.000M PCI-Express, Serial ATA
- 106.250M Fibre Channel
- 125.000M 1GbEthernet; iSCSI, Infiniband, Hypertransport, PCI-express
- 133.000M Bus/Mem Clock, CPU
- 133.333M FB DIMM
- 150.000M Serial ATA, Serial SCSI
- 155.520M SONET OC-48
- 156.250M 10GbEthernet XAUI
- 159.375M 10GbFibre Channel XAUI
- 161.132M 10GbEthernet SERDES
- 164.355M 10GbFibre Channel SERDES
- 166.000M Bus/Mem Clock
- 200.000M Bus/Mem Clock
- 212.500M 4G Fibre Channel, 8Gb Fibre Channel, FCoE
- 250.000M Infiniband, High Speed Bus
- 312.500M 10GbE
- 500.000M High Speed Bus
- 622.080M SONET OC-192
- 625.000M 10GbEthernet XAUI, High Speed Bus
- 644.531M 10GbEthernet SERDES
- 669.326M SONET OC-192 Digital Wrapper

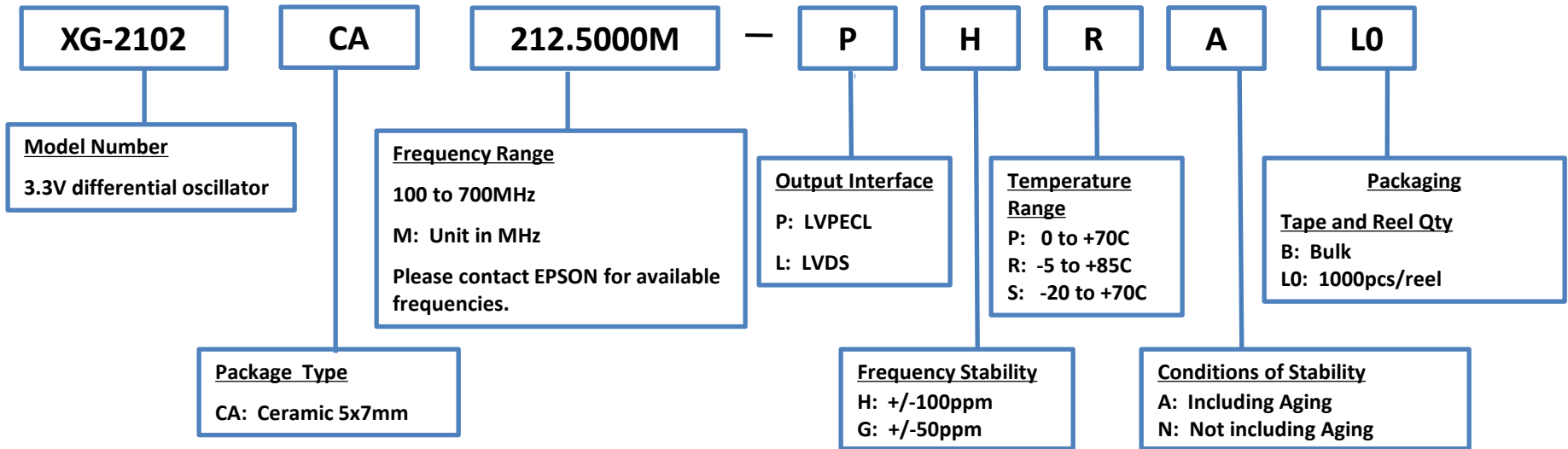
High Frequency Oscillator Applications

XO / SO (MHz)			VCXO / VCSO (MHz)		
Fibre Channel	FC-2	106.2	SONET	OC-3/12	19.44*
	FC-4/-8	212.5 / 425		OC-3/12	38.88*
	FC-10	159.375		OC-3/12/48	77.76*
Ethernet	GigE	125		OC-3	155.52*
	10 GigE/Infiniband	125 / 250		w/ FEC	166.6286
	XAUI	156.25		w/ FEC	167.3316
	XAUI2	312.5		OC-6	311.04*
	10 GigE PHY	161.1328 322.2656 644.5312		w/ FEC	333.2572 334.6632
PCI-Express	Phase 1	100		OC-12	622.08
	Phase 2	200		w/ FEC	666.5144
	Phase 3	400	w/ FEC	669.3264	
Storage	SATA 1	75 / 150	OC-48	2488.32	
	SATA 2	150 / 300			
	SAS 1	75 / 150			
	SAS 2	150 / 300			
Computer	Bus / Mem Clock	100 / 125 / 133.33 /			
		166.66 200 / 266.67		* XO / SO also	

Product Configuration System



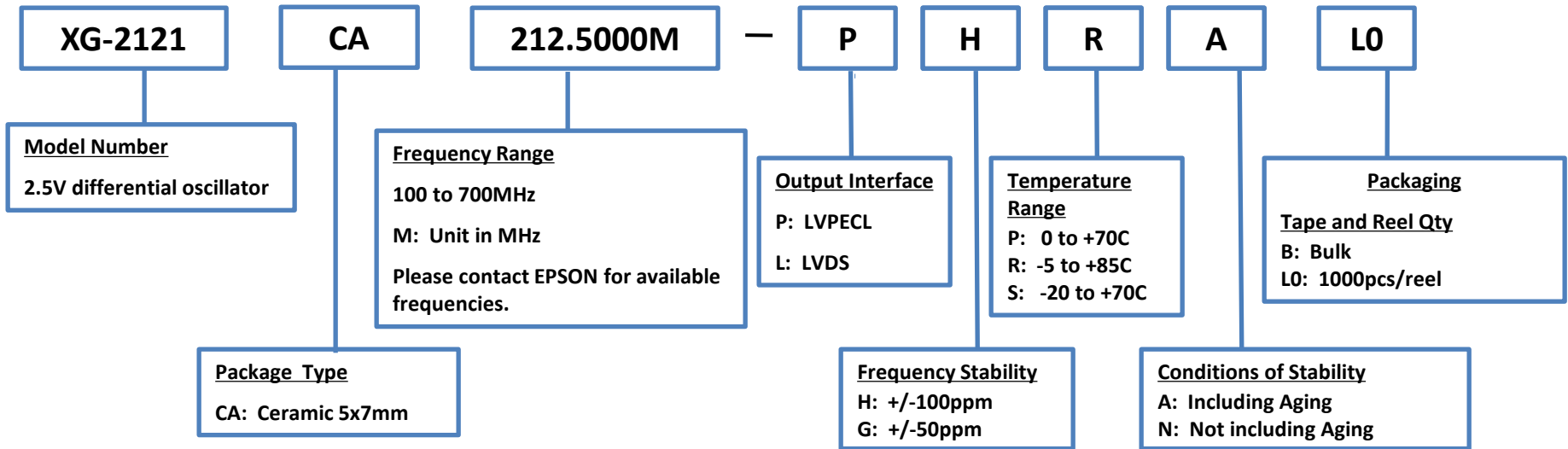
Crystal Oscillators – Low Jitter (SAW)



Product Configuration System



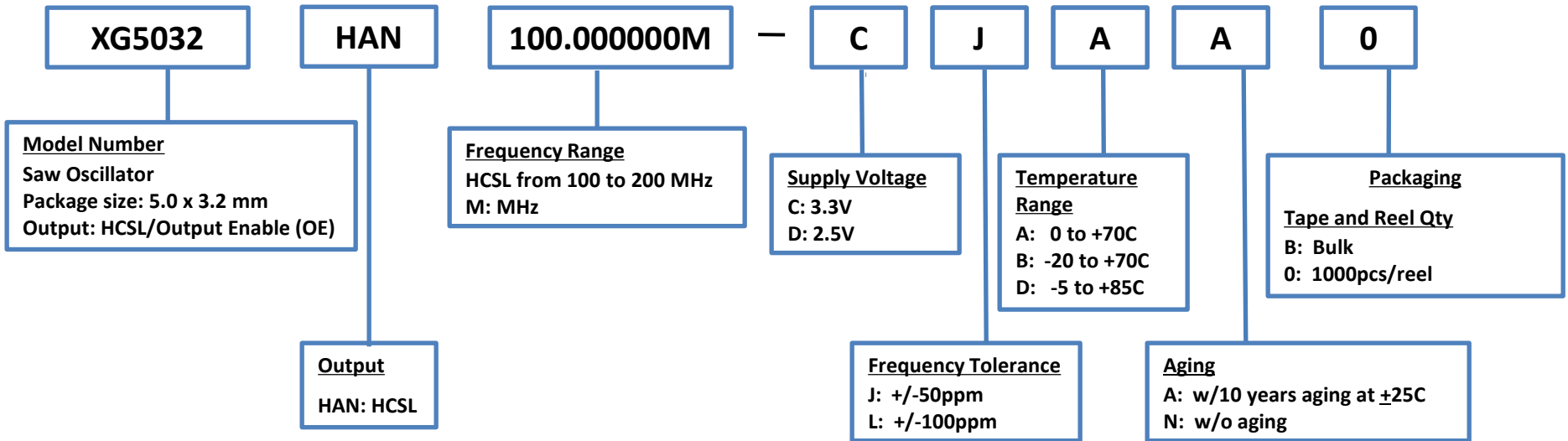
Crystal Oscillators – Low Jitter (SAW)



Product Configuration System



Low-Jitter SAW Oscillator (SPSO)



Unavailable Combinations
JDA and JBA