

ISSUE 2; March 2024

Description

- 1.6 x 1.0mm SMD crystal in a hermetically sealed ceramic package.
Suitable for real time clock applications.

Frequency Parameters

- Frequency: 32.768kHz
- Frequency Tolerance: $\pm 20.00\text{ppm}$
- Tolerance Condition: @ 25°C $\pm 5^\circ\text{C}$
- Ageing: $\pm 3\text{ppm}$ max in 1st year @ 25°C $\pm 3^\circ\text{C}$
- Frequency Stability Coefficient: $-0.036\text{ppm}/^\circ\text{C}^2 \pm 10\%$

Electrical Parameters

- Load Capacitance (CL): 4.0pF to 12.5pF
- Shunt Capacitance (C0): 1.2pF typ
- Drive Level: 500nW max

Operating Temperature Ranges

- 40 to 85°C

Environmental Parameters

- Storage Temperature Range: -55 to 125°C
- Drop: 100g dummy, 150cm drop (3 directions x 10 times) onto concrete
- Vibration: 1.5mm amplitude, 10Hz-60Hz, 15mins in 3 mutually perpendicular planes, duration 2hrs each plane

Ordering Information

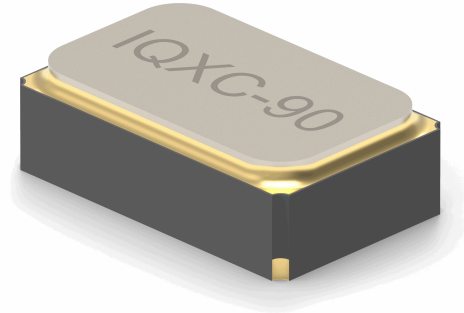
- Frequency
Model*
Frequency Tolerance (@ 25°C)
Load Capacitance*
(*minimum required)
- Example
32.768kHz IQXC-90
20/-/12.5

Compliance

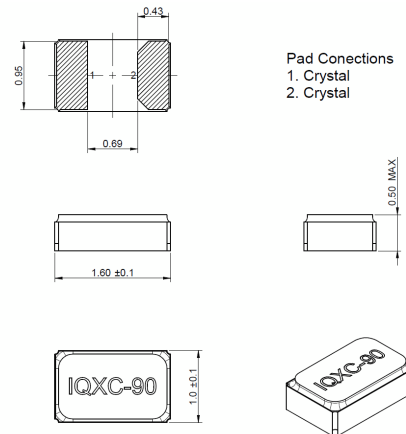
- RoHS Status (2015/863/EU): Compliant
- REACH Status: Compliant
- MSL Rating (JDEC-STD-033): Not Applicable

Packaging Details

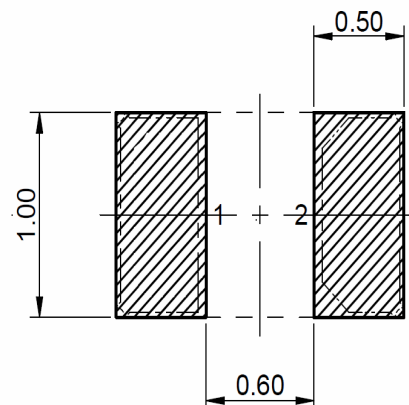
- Tape & reel in accordance with EIA-481
Quantities below the standard reel size to be supplied on cut tape.
Standard Reel Quantity: 5,000 Pieces



Outline (mm)



Recommended Solder Pad Layout



Sales Office Contact Details:

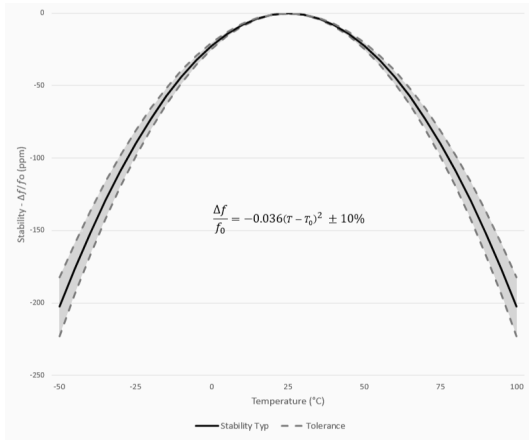
UK: +44 (0)1460 270200

USA: +1 760 318 2824

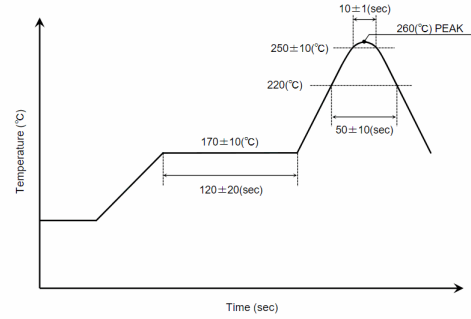
Email: info@iqdfrequencyproducts.com

Web: www.iqdfrequencyproducts.com

Typical Frequency Stability Characteristics



Reflow Profile



Note:

- (1) The temperature used herein means the temperature on the circuit board.
- (2) Reflow is permitted 2 times.

Electrical Specification - maximum limiting values

Frequency Min	Temperature Range	Stability (Min)	Over Tone Order	ESR
	°C	ppm		Ω
32.768000kHz	-40 to 85	-	Fundamental	90,000

Sales Office Contact Details:

UK: +44 (0)1460 270200

USA: +1 760 318 2824

Email: info@iqdfrequencyproducts.com

Web: www.iqdfrequencyproducts.com