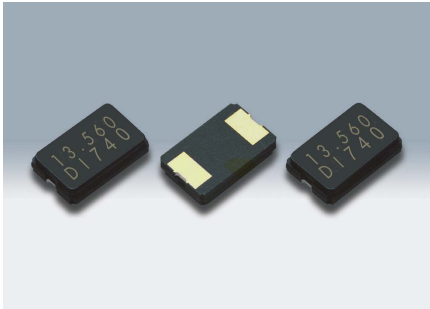


SMD Crystal Resonators/MHz Band Crystal Resonators <For Automotive>

DSX530GK/DSX530GA



Actual size

■ Features

- Miniature and low profile surface mount crystal resonator (height 1.0mm)
- Offers a high degree of reliability due to excellent environmental characteristic and heat resistance.
- AEC-Q200 Compliant

■ Applications

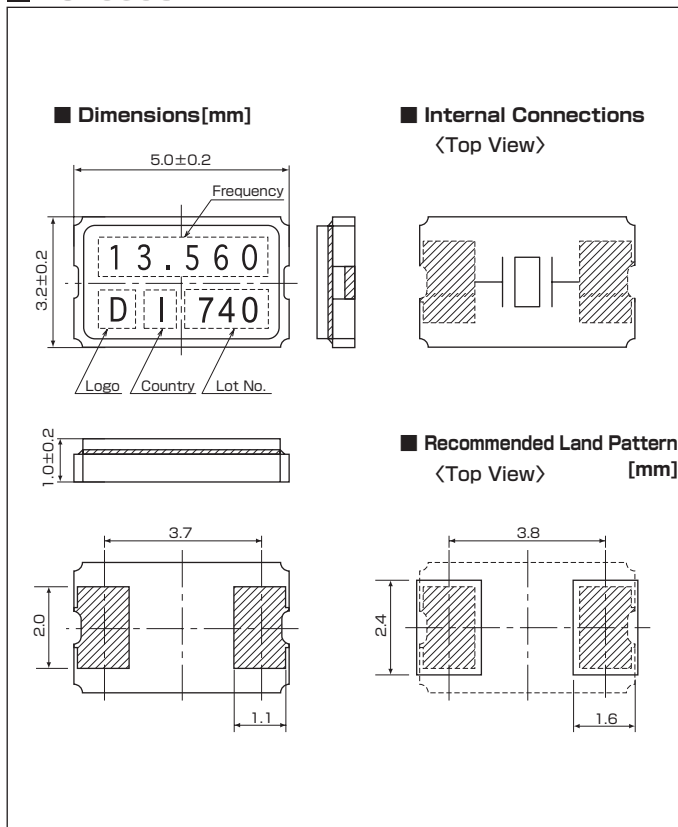
- RKE (Remote Keyless Entry), safety control and multimedia device (DSX530GK)
- Multimedia devices such as car navigation system and car audio (DSX530GA)

■ Standard Specification

Item	Type	DSX530GA			
		DSX530GK			
Frequency Range		7~8MHz	8~12MHz	12~20MHz	20~40MHz
Overtone Order		Fundamental			
Load Capacitance		Series, 8pF, 10pF, 12pF			
Drive Level		10μW (300μW max.)			
Frequency Tolerance		±30×10 ⁻⁶ , ±50×10 ⁻⁶ , ±100×10 ⁻⁶ (at 25°C)			
Series Resistance		200Ω max.	150Ω max.	100Ω max.	50Ω max.
Frequency Characteristics over Temperature		±50×10 ⁻⁶ / -40~+85°C (Ref. to 25°C)			
		±100×10 ⁻⁶ / -40~+125°C (Ref. to 25°C)			
		±200×10 ⁻⁶ / -40~+150°C (Ref. to 25°C)			
Storage Temperature Range		-40~+150°C			
Reliability		AEC-Q200-REV. C			
Packing Unit		1000pcs./reel (φ 180)			

Consult our sales representative for other specifications.

■ DSX530GK



■ DSX530GA

