

Features

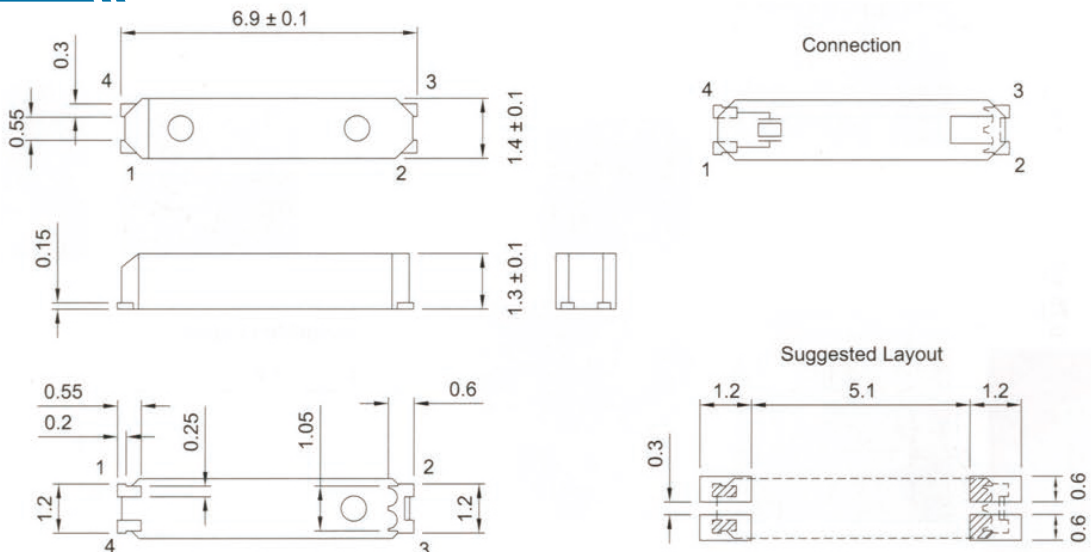
- > plastic mold package incorporated tubular type quartz crystal.
- > suitable for automatic and high density surface mounting.
- > excellent shock and heat resistance.
- > multi dimension for choose.
- > reasonable cost.
- > contains high melting temperature type solder(Pb 85%) exempted by RoHS directive.



Electrical Specifications

Item / Type	EAS7015SA
Nominal Frequency	32.768 KHz
Frequency Tolerance (at 25 °C)	±20 ppm
Operating Temperature Range	-40-+ 85 °C
Shunt Capacitance (C0)	0.8 pF typical
Motional Capacitance	1.9 fF typical
Insulation Resistance	500MΩ Min.
Drive Level	1 μW Max.
Load Capacitance	7PF,9PF, 12.5 pF ,or other spec
Peak Temperature (Frequency)	25°C±5°C
Frequency-Temperature Coefficient	-4*10 ⁻⁸ /°C ² Max.
Aging (at 25 °C)	±3ppm/year Max.
Storage Temperature Range	-55- + 125 °C
Equivalent Series Resistance(ESR)	50KΩ MAX

Dimensions



Units: mm